

Assembly Guide



PRECOR[®] USA
move beyond[®]

EFX[®] **536i**
Elliptical Fitness Crosstrainer[™]

Thank you for choosing Precor. For proper installation, please read this guide thoroughly and follow the assembly instructions. If you do not assemble the EFX according to these guidelines, you could void the Precor Limited Warranty.

Obtaining Service

You should not attempt to service the EFX except for maintenance tasks described in the owner's manual. Should you need more information regarding Customer Support numbers or a list of Precor authorized Service Centers, visit the Precor web site at www.precor.com/corp/contact.

Unpacking the Equipment

The EFX is carefully tested and inspected before shipment. The unit is shipped in one box. Ask for help from two or more people to unpack and assemble the EFX. If any items are missing, contact your dealer.

Required Tools

- 1/2-inch socket wrench with extension
- 9/16-inch socket wrench
- 1/2-inch open end wrench
- Crescent wrench
- Wire cutter
- Standard set of hex keys
- Standard set of metric hex keys
- Long-handle 5/32-inch hex key
- #2 Phillips screwdriver

Installation Requirements

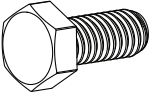
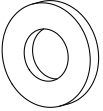
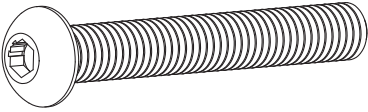
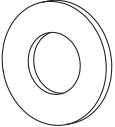

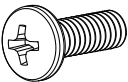
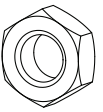
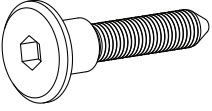
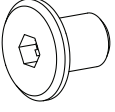
Follow these installation requirements when assembling the unit:

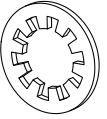
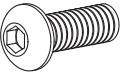
- **Assemble the unit near the location where you plan to use it because it is heavy.**
- **Provide ample space around the unit.**
Open space around the unit allows for easier access.
- **Set up the unit on a solid, flat surface.**
A smooth, flat surface under the unit helps keep it level. A level unit has fewer malfunctions.

- **Open the box and assemble the components in the sequence presented in this guide.**
- **Obtain assistance.**
Ask another capable adult for assistance during the assembly process.
- **Use your fingers or the appropriate tools to insert fasteners.**
Proper alignment helps alleviate cross-threading. Do not fully wrench tighten fasteners until instructed to do so.
When wrench tightening, the head of the fastener should be flush with the product. If it is not, cross-threading has occurred. Do not attempt to rework the assembly as more damage to the equipment will occur. Contact Customer Support. Refer to Obtaining Service.

Important: Assemble the unit near the location where you plan to use it and provide ample space around the unit. Consult the Product Owner's Manual for proper placement of your equipment.

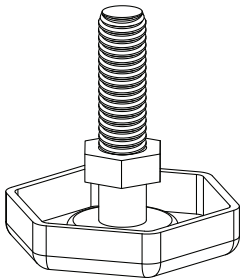
Hardware Kit (not shown to scale)

Fasteners		Quantity
	(A) Hex head screws (3/4-inch)	16
	(B) Flat washers (5/16-inch)	16
	(C) Buttonhead screws (2 3/4-inch)	2
	(D) Flat washers (3/8-inch)	2
	(E) Split washers (5/16-inch)	16
	(F) Phillips-head cap screws (3/4-inch)	3
	(G) Locknuts (3/8-inch)	2
	(H) Joint connector screws	2
	(J) Joint connector nuts	2

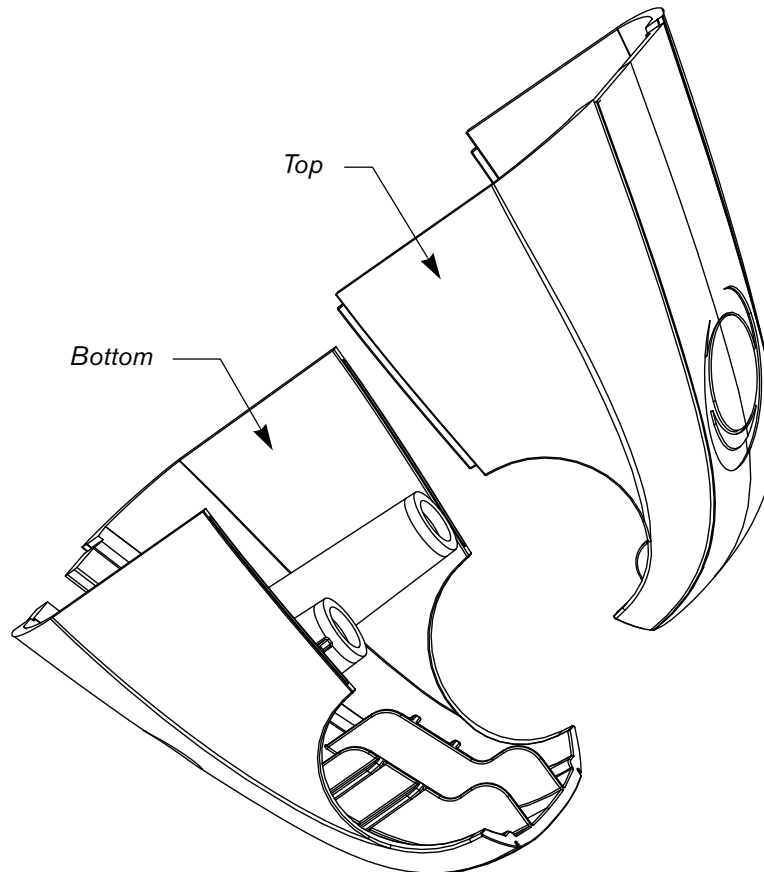
Fasteners		Quantity
	(K) Star washers (3/8-inch)	2
	(L) Buttonhead screws (7/8-inch)	10

Note: Since the hardware kit is used universally across several different product lines, extra fasteners remain once you complete this assembly.

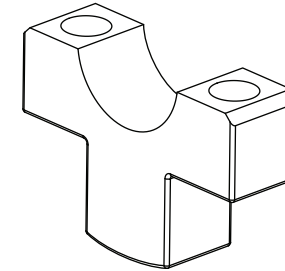
2 – Levelers with hex nuts (M)



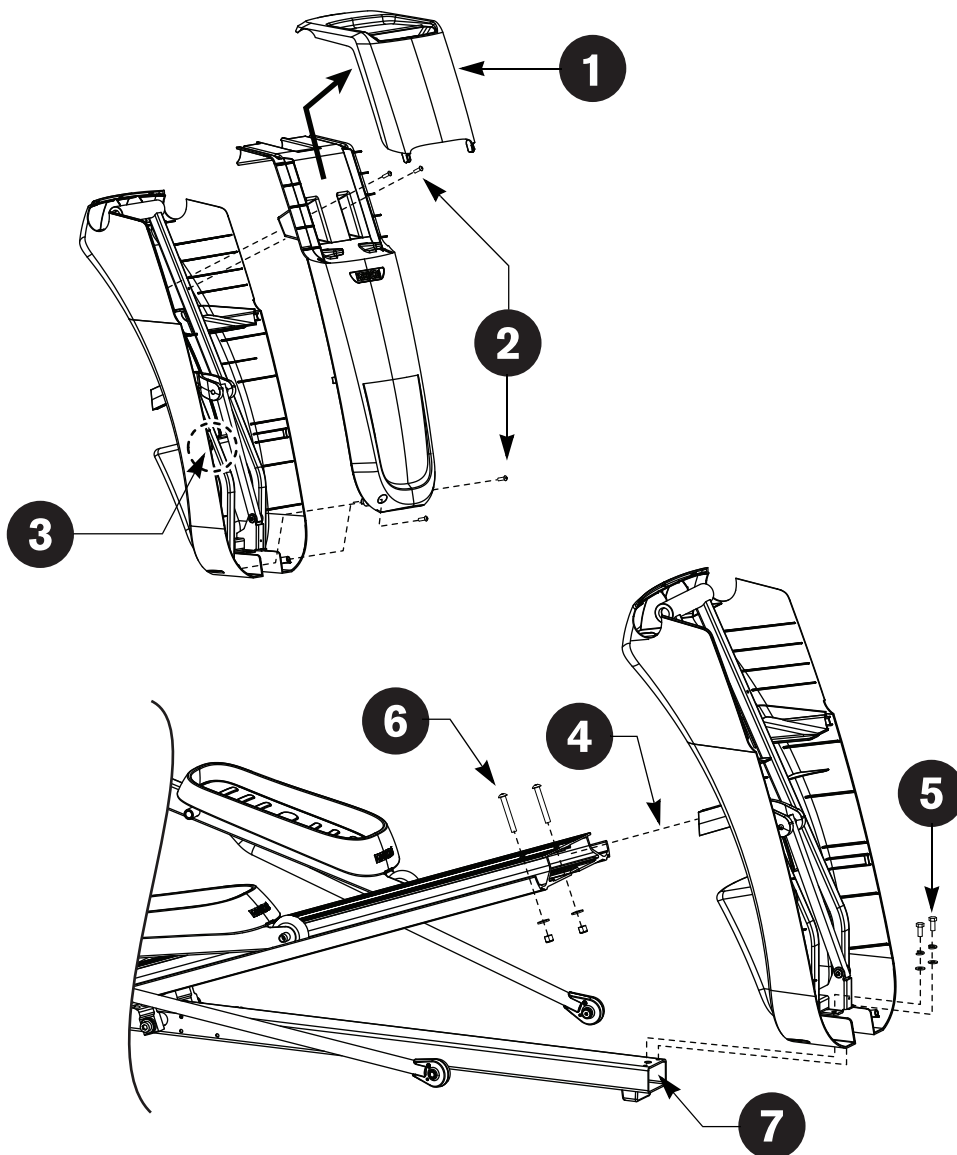
2 – Display covers (N)



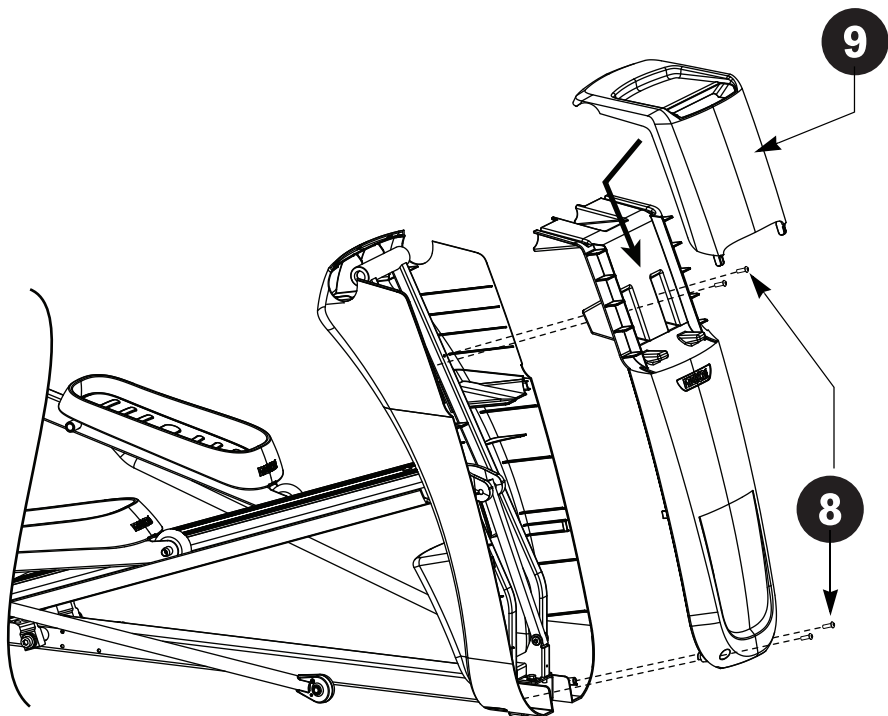
2 – Clamps (O)



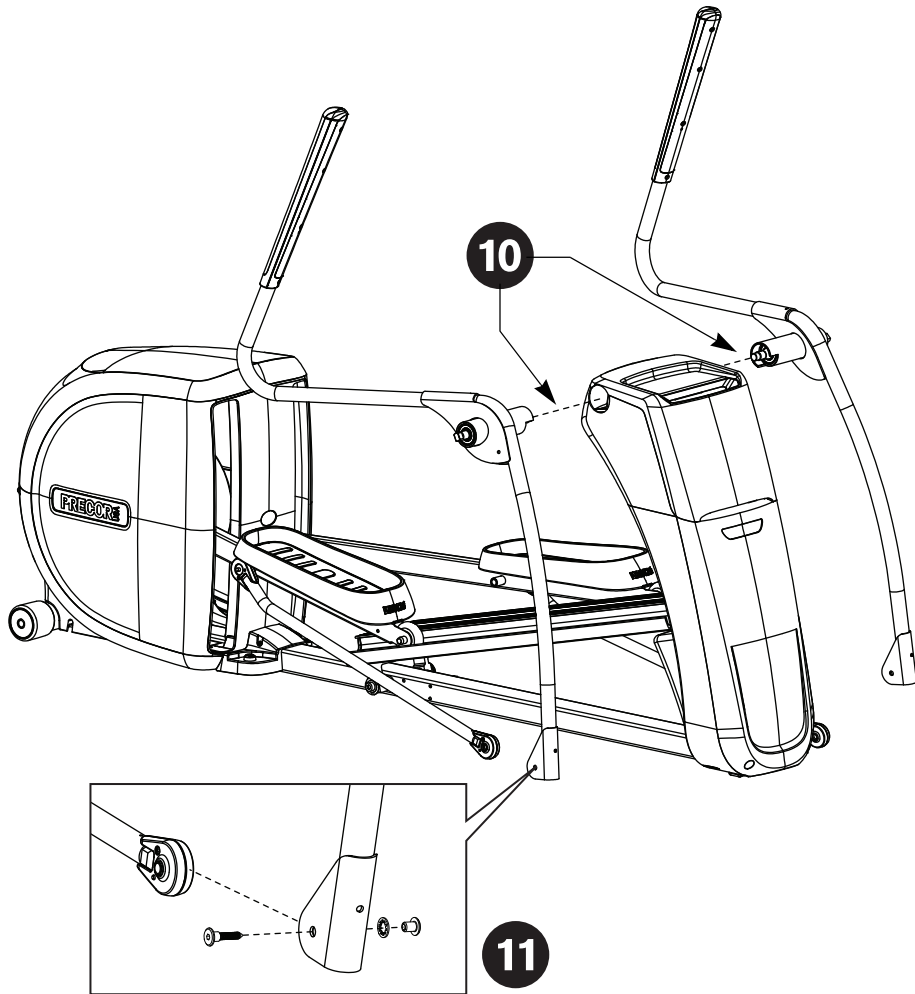
Assembly Steps



- 1 Remove the packaging around the ramp support covers. Grasp the magazine rack at its base and slide it up and off the front ramp support cover. Set it aside.
- 2 Use a long-handle $\frac{5}{32}$ -inch hex key to remove the four fasteners that secure the front ramp support cover. Set the fasteners aside.
- 3 A tab on each side of the front ramp support cover holds the front and back covers together. Gently squeeze the sides of the back covers to release the tabs. Remove the front ramp support cover.
- 4 While holding the foam pouch in place, ask your assistant to lift and hold the ramp while you position the lift motor assembly and slide the yoke into the ramp.
Note: The foam pouch has been placed over the end of the ramp to avoid scratches to the cover. The pouch will be removed once the stabilizers are attached and secure.
- 5 Secure the base of the ramp support assembly using two hex head screws (A), two split washers (E), and two washers (B). Finger tighten.
- 6 Secure the ramp to the yoke using two buttonhead screws (C), two washers (D) and two locknuts (G). Wrench tighten using the $\frac{7}{32}$ -inch hex key and a $\frac{9}{16}$ -inch socket wrench.
- 7 Return to the base of the ramp support assembly and wrench tighten the two fasteners using a $\frac{1}{2}$ -inch socket wrench.



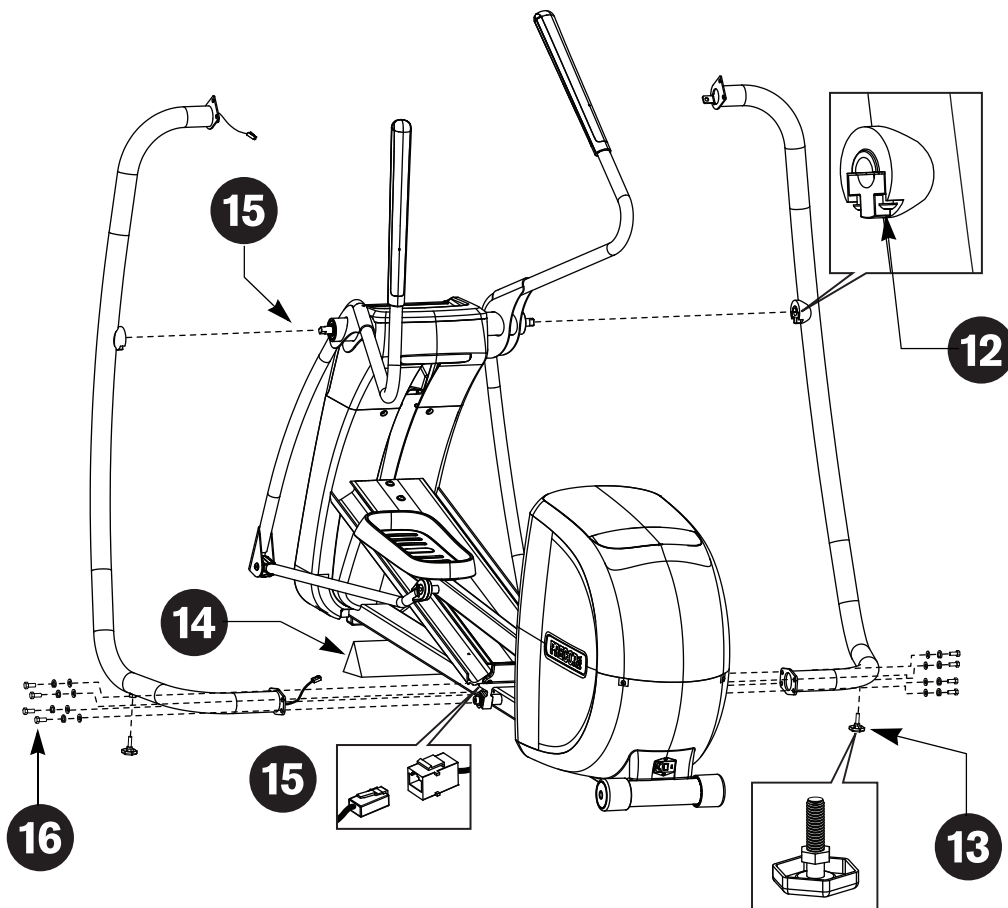
- 8** Install the front ramp support cover. Align the mounts and engage the side clips by pressing the front and back covers together. Insert the four fasteners set aside in step 2. Wrench tighten using the long-handle $\frac{5}{32}$ -inch hex key.
- 9** Attach the magazine rack. Align the tabs and apply downward pressure and lightly squeeze the magazine rack and back cover together. An audible click is heard when the magazine rack is secured properly.



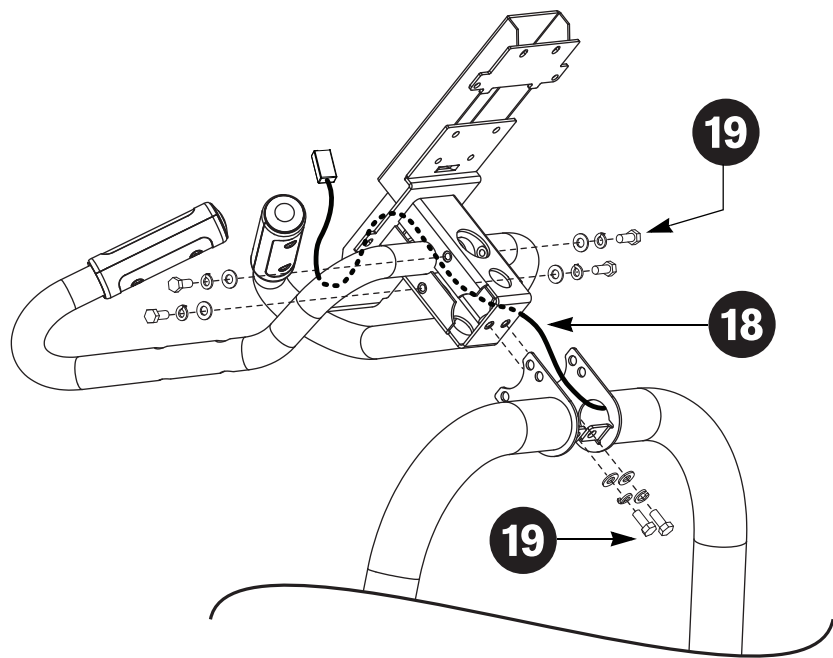
CAUTION: Avoid cross-threading. Make sure the moving arm assembly is well-aligned with the pivot tube before wrench tightening. Any damage caused during installation is not covered by the Precor Limited Warranty.

- 10** Attach one moving arm assembly at a time. Align and thread it carefully into the pivot tube. To secure it, use a 1/2-inch open end wrench and tighten the moving arm pivot joint. Guide the moving arm to its equilibrium point and let it rest there. Perform the same step for the opposite side.
- 11** Attach the lower link arms onto the moving handlebars using two joint connector screws (H), two star washers (K), and two joint connector nuts (J). Perform this step on one handlebar at a time. Wrench tighten using a 5mm hex key.

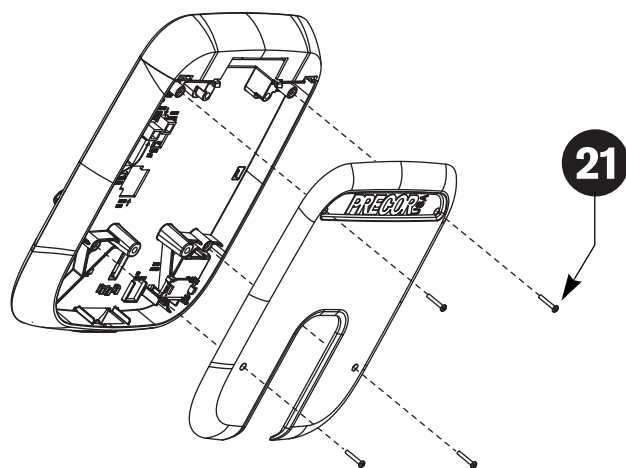
Important: Be aware of the handlebar locations during assembly. When assembling the lower link arms, position yourself at the front of the EFX.

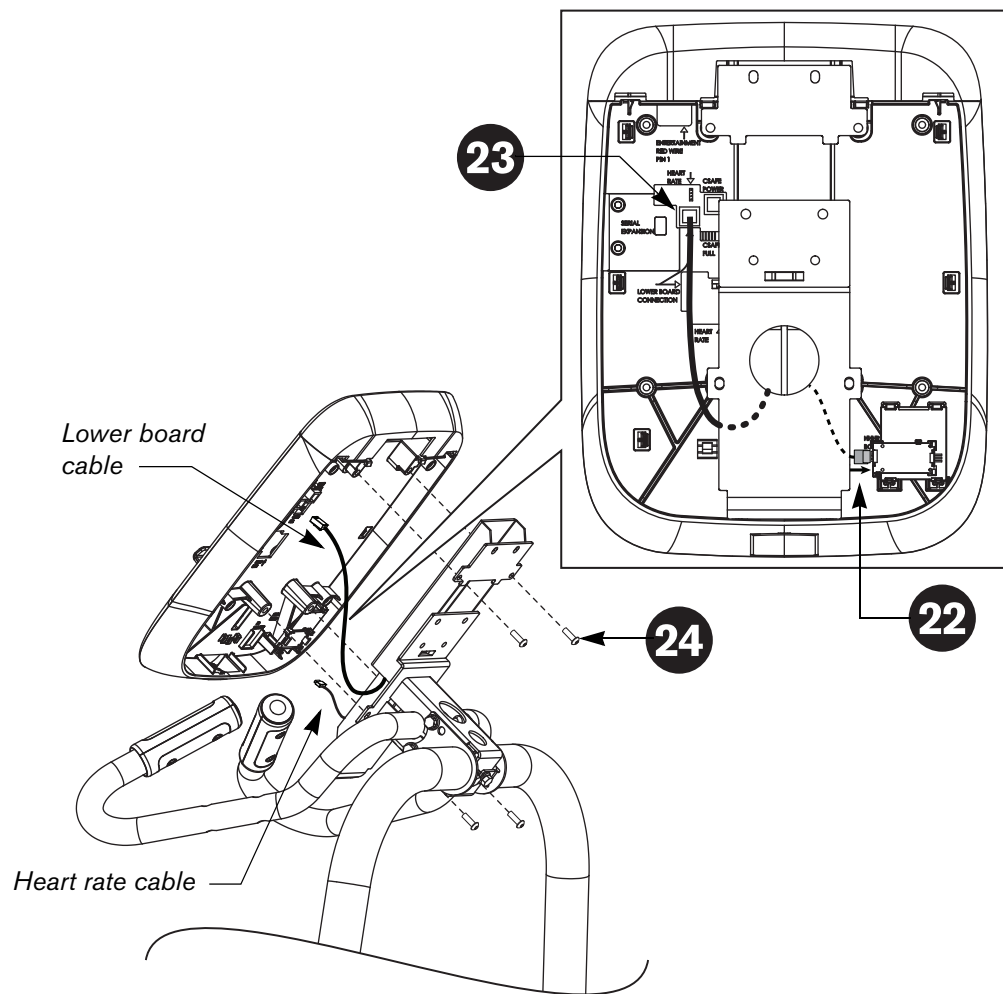


- 12 Prepare the stabilizers for installation. Insert a clamp (O) into each stabilizer and secure it loosely with a buttonhead screw (L).
- 13 Thread a leveler (K) onto each stabilizer.
Note: Make sure the nut is fully threaded onto the leveler. Refer to the illustration.
- 14 For easier access to the base mounts, lift the front of the EFX off the floor and place a wedge of packaging beneath its base.
- 15 Ask your assistant to hold the stabilizer, which has the cable protruding from both ends, next to the moving arm assembly and base frame. While your assistant places the stabilizer on the pivot tube and wrench tightens the clamp, you can connect the base cable. An audible click is heard when the cable is properly attached. Insert the cable into its receptacle and place excess cable into the base frame.
- 16 Secure the stabilizer to the base frame using four hex head screws (A), four split washers (E) and four washers (B). Finger tighten.
Note: The split washers should be sandwiched between the head of the screw and the flat washers. Also, if you encounter difficulty aligning the base mounts, check the height of the levelers and adjust them accordingly.
- 17 Attach the opposite stabilizer to the metal shaft and wrench tighten the clamp. Secure the stabilizer to the base frame using four hex head screws (A), four split washers (E), and four washers (B). Finger tighten.



- 18** Unwrap the lower board cable and remove any kinks. Feed the cable through the console bracket as shown in the illustration.
- 19** Lower the console bracket between the stabilizers and rest the base of the bracket against the two bottom flanges. Align the six mounting holes. Start with the side mounts and insert the four hex head screws (A), with four split washers (E), and four flat washers (B). Finger tighten.
- 20** Insert the two bottom hex head screws (A) with two split washers (E), and two flat washers (B). Finger tighten.
- 21** Use a Phillips screwdriver to remove the four screws that secure the back console plate to the display console. Set the fasteners and cover aside.

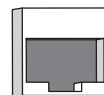




22 Connect the heart rate cable to the 4-prong receptacle on the electronics board.

23 Connect the RJ45 cable to its receptacle on the back of the display console. An audible click is heard when the cable is properly attached. Place excess cable inside the console bracket.

Important: When connecting the RJ45 cable to the back of the display, look for the receptacle that is in the same orientation as shown in the illustration below. Text embossed on the plastic states LOWER BOARD CONNECTION.

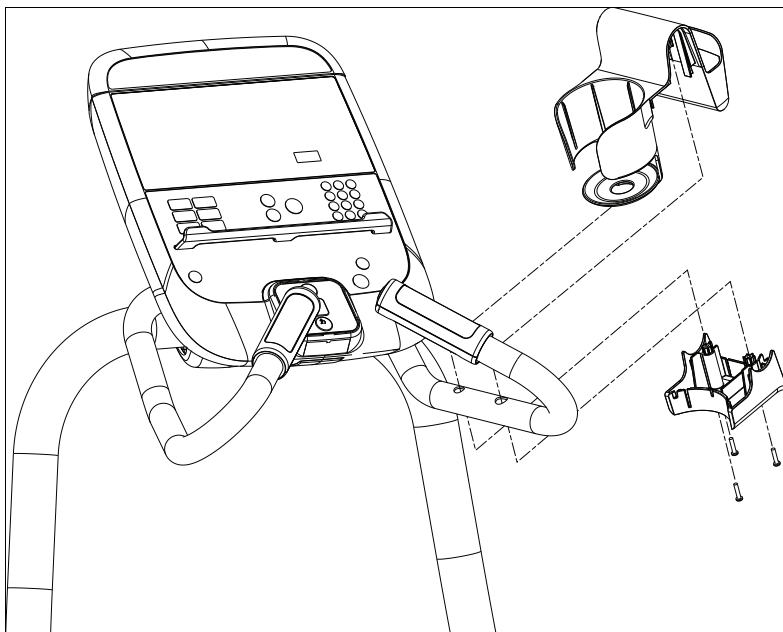


24 Secure the display console with four buttonhead screws (L). Wrench tighten.

25 Wrench tighten the hex head screws. Start at the base of the stabilizers and tighten all eight screws using a 1/2-inch socket with an extension. Return to the console bracket. Wrench tighten the four side screws, and then the two bottom screws.

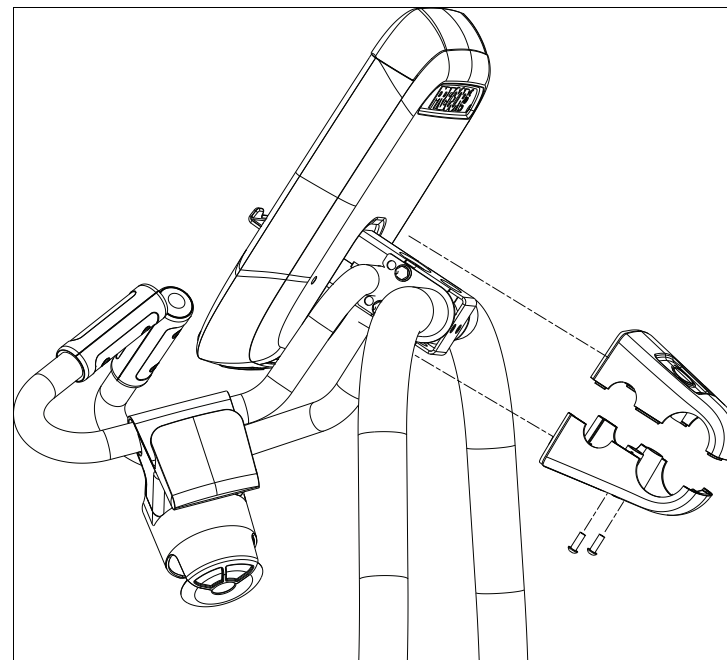
26 Remove the foam pouch from the ramp.

27 Position the water bottle holder as shown in the illustration. Place the top section over the handrail and align the two mounting holes. Position the base below the handrail and align the slits and mounting pems with the top section. Slide the base into the top section and secure it using three Phillips-head screws (F) and a Phillips screwdriver.



28 Place the display covers (N) around the console bracket. Insert two buttonhead screws (L) and wrench tighten.

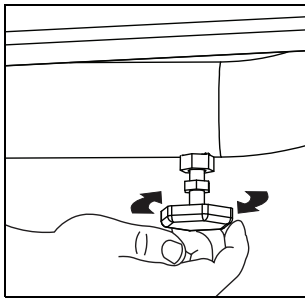
Make sure the top cover's front edge is flush with the display console bracket before you secure it to the bottom cover.



- 29** Before exercising, make sure the EFX is level and does not wobble from side to side.

Important: If the EFX is placed on a slightly uneven surface, turning the levelers can help, but will not compensate for extremely uneven surfaces.

1. Remove the packaging wedge from beneath the base of the EFX.
2. Kneel by the side of the stabilizer and lift the base slightly so you can access the levelers.
3. Rotate the levelers as needed.



4. When the EFX is level, tighten the lock nut with a crescent wrench and lower the EFX to the floor.

- 30** Verify the heart rate display is operational.

1. Hold on to a stationary handrail and step on the foot pedals.
2. When you are comfortably situated, begin pedaling. A pedaling speed above 40 strides per minute must be maintained for several seconds.
3. Grasp both touch-sensitive grips.
4. Look at the HEART RATE display. After a few seconds, a number appears indicating your heart rate.
5. If a number does not appear in the HEART RATE display, you may need to disassemble the display and check the cable connection. For troubleshooting tips, refer to the *Product Owner's Manual*.

PRECOR[®] USA
move beyond[®]

Precor Incorporated
20031 142nd Avenue NE
P.O. Box 7202
Woodinville, WA USA 98072-4002
1-800-347-4404



©2011 Precor Incorporated
www.precor.com
EFX536i AG 301736-101, en
30 December 2011

User's Reference Manual

EFX[®] 536i

EFX[®] 532i

Elliptical Fitness CrossTrainers



PRECOR[®] USA
move beyond[®]

Important Safety Instructions

Read all instructions in the documentation provided with your exercise equipment, including all assembly guides, user guides, and owner's manuals, before installation of this device.

The display apparatus (hereinafter referred to as the *console*) is intended to be shipped with new Precor exercise equipment (hereinafter referred to as the *base unit*). It is not packaged for individual sale.

WARNING To prevent injury, the console must be attached securely to the base unit following all assembly and installation instructions shipped with the base unit. The console is intended to be connected to AC mains power through the furnished power supply ONLY. It should be powered on only when installed as described in the assembly and installation instructions shipped with the base unit. The console is intended for use only with Precor fitness equipment, not as a standalone device.

Safety Precautions

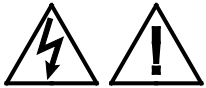
Always follow basic safety precautions when using this equipment to reduce the chance of injury, fire, or damage. Other sections in this manual provide more details of safety features. Be sure to read these sections and observe all safety notices. These precautions include the following:

- Read all instructions in this guide before installing and using the equipment and follow any labels on the equipment.

- Make sure all users see a physician for a complete physical examination before they begin any fitness program, particularly if they have high blood pressure, high cholesterol or heart disease; have a family history of any of the preceding conditions; are over the age of 45; smoke; are obese; have not exercised regularly in the past year; or are taking any medication.
- *Il est conseillé de subir un examen médical complet avant d'entreprendre tout programme d'exercice. Si vous avez des étourdissements ou des faiblesses, arrêtez les exercices immédiatement.*
- Do not allow children, or people unfamiliar with the operation of this equipment, on or near it. Do not leave children unsupervised around the equipment.
- Make sure all users wear proper exercise clothing and shoes for their workouts and avoid loose or dangling clothing. Users should not wear shoes with heels or leather soles, and they should check the soles of their shoes to remove any dirt and embedded stones. They should also tie long hair back.
- Never leave the equipment unattended when it is plugged in. Unplug the equipment from its power source when it is not in use, before cleaning it, and before providing authorized service.
Note: The optional power adapter is considered a power source for self-powered equipment.
- Use the power adapter provided with the equipment. Plug the power adapter into an appropriate, grounded power outlet as marked on the equipment.

- Care should be taken when mounting or dismounting the equipment.
 - Read, understand, and test the emergency stop procedures before use.
 - Keep the power cord or optional power adapter and plug away from heated surfaces.
 - Route power cables so that they are not walked on, pinched, or damaged by items placed upon or against them, including the equipment itself.
 - Ensure the equipment has adequate ventilation. Do not place anything on top of or over the equipment. Do not use on a cushioned surface that could block the ventilation opening.
 - Assemble and operate the equipment on a solid, level surface.
 - Proper Location for Equipment
 - For all equipment other than treadmills: Locate at least 40 inches (1 meter) away from walls or furniture on either side of the equipment, and 40 inches (1 meter) away from objects behind the equipment.
 - For treadmills: Locate at least 40 inches (1 meter) away from walls or furniture on either side of the treadmill, and at least 80 inches (2 meters) away from objects behind the treadmill.
- Important:** *These location standards should also be used when positioning equipment away from sources of heat, such as radiators, heat registers, and stoves. Avoid temperature extremes.*
- Keep equipment away from water and moisture. Avoid dropping anything on or spilling anything inside the equipment to prevent electric shock or damage to the electronics.
 - When using the treadmill, always attach the safety clip to your clothing before beginning your workout. Failure to use the safety clip may pose a greater risk of injury in the event of a fall.
 - Keep in mind that heart rate monitors are not medical devices. Various factors, including the user's movement, may affect the accuracy of the heart rate readings. The heart rate monitors are intended only as exercise aids in determining heart rate trends in general.
 - Do not operate electrically powered equipment in damp or wet locations.
 - Never operate this equipment if it has a damaged cord or plug, if it is not working properly, or if it has been dropped, damaged, or exposed to water. Call for service immediately if any of these conditions exist.
 - Maintain the equipment to keep it in good working condition, as described in the *Maintenance* section of the owner's manual. Inspect the equipment for incorrect, worn, or loose components, and then correct, replace or tighten prior to use.
 - If you plan to move the equipment, obtain help and use proper lifting techniques.
 - Equipment Weight Restrictions: Do not use the treadmill if you weigh more than 500 pounds (225 kg). If you weigh more than 350 pounds (160 kg), do not run on the treadmill. For all other fitness equipment, the weight limit is 350 pounds (160 kg).
 - Use the equipment only for its intended purpose as described in this manual. Do not use accessory attachments that are not recommended by Precor. Such attachments may cause injuries.
 - Do not operate the equipment where aerosol (spray) products are being used or where oxygen is being administered.
 - Do not use outdoors.

- Do not attempt to service the equipment yourself, except to follow the maintenance instructions in the owner's manual.
- Never drop or insert objects into any opening. Keep hands away from moving parts.
- Do not set anything on the stationary handrails, handlebars, control console, or covers. Place liquids, magazines, and books in the appropriate receptacles.
- Do not lean on or pull on the console at any time.



CAUTION: DO NOT remove the cover, or you may risk injury due to electric shock. Read the assembly and maintenance guide before operating. There are no user-serviceable parts inside. Contact Customer Support if the equipment needs servicing. For use with single phase AC power only.

Educating Users

Take time to educate users about the Important Safety Instructions found in both the *User Reference Manual* and *Product Owner's Manual*. Explain to your club or facility patrons that they should observe the following precautions:

- Hold onto a stationary handrail or handlebar while assuming the starting position on the equipment.
- Face the console at all times.
- On treadmills, straddle the running belt and attach the safety clip to clothing at waist level before touching the control console.

Important: For safety, make sure users step onto the running belt while it is moving at or below 1 mile per hour (1.6 kilometers per hour).

- Hold on to a stationary handrail or handlebar with one hand whenever you operate the console keys with the other hand.

Hazardous Materials and Proper Disposal

The batteries within self-powered equipment contain materials that are considered hazardous to the environment. Federal law requires proper disposal of these batteries.

If you plan to dispose of your equipment, contact Precor Commercial Products Customer Support for information regarding battery removal. Refer to *Obtaining Service*.

Product Recycling and Disposal

This equipment must be recycled or discarded according to applicable local and national regulations.

Product labels, in accordance with European Directive 2002/96/EC concerning waste electrical and electronic equipment (WEEE), determine the framework for the return and recycling of used equipment as applicable throughout the European Union. The WEEE label indicates that the product is not to be thrown away, but rather reclaimed upon end of life per this Directive.

In accordance with the European WEEE Directive, electrical and electronic equipment (EEE) is to be collected separately and to be reused, recycled, or recovered at end of life. Users of EEE with the WEEE label per Annex IV of the WEEE Directive must not dispose of end of life EEE as unsorted municipal waste, but use the collection framework available to customers for the return, recycling, and recovery of WEEE. Customer participation is important to minimize any potential effects of EEE on the environment and human health due to the potential presence of hazardous substances in EEE. For proper collection and treatment, refer to *Obtaining Service*.

Regulatory Notices for Cardiovascular Exercise Equipment

The regulatory information in this section applies to the exercise equipment and its control console.

Safety Approvals for Cardiovascular Equipment

Precor equipment has been tested and found to comply with the following applicable safety standards.

Cardiovascular Type Equipment:

- CAN/CSA, IEC, EN 60335-1 (Household and similar electrical appliances - Safety)
- EN 957 (Stationary training equipment, class S/B compliant equipment)

PVS Regulatory Notice

This Precor equipment has been tested and found to comply with the following applicable safety standards.

- CAN/CSA, UL, IEC, EN 60065 (Audio, video and similar electronic apparatus - Safety)

Radio Frequency Interference (RFI)

This Precor exercise equipment conforms to the following national standards defining acceptable limits for radio frequency interference (RFI).

Federal Communications Commission, Part 15

This equipment has been tested and found to comply with the limits for a Class A digital device, pursuant to Part 15 of the FCC Rules. These limits are designed to provide reasonable protection against harmful interference in a commercial installation. The equipment generates, uses, and can radiate radio frequency energy and, if not installed and used in accordance with the owner's manual instructions, may cause harmful interference to radio communications.

WARNING Per FCC rules, changes or modifications not expressly approved by Precor could void the user's authority to operate the equipment.

Industry Canada

This Class A digital apparatus complies with Canadian ICES-003.

Cet appareil numérique de la classe A est conforme à la norme NMB-003 du Canada.

ATTENTION: Haute Tension
Débranchez avant de réparer

European Applications

CE compliance is claimed to the following directives:

- 2004/108/EC EMC Directive
- 2006/95/EC LVD Directive
- 2002/95/EC RoHS Directive

Directive compliance has been verified to the following standards:

- EN 55022
- EN 55024
- EN 60335-1
- EN 60065 (P80 and PVS)

Electrical Recommendations: All Equipment Excluding Treadmills

Note: This is a recommendation only. NEC (National Electric Code) guidelines or local region electric codes must be followed.

For equipment fitted with a P80 console or Personal Viewing System (PVS) screen a separate power connection is required. For a 20 amp branch circuit up to 10 screens can be connected. If the branch circuit has any other devices plugged into the circuit the number of screens must be reduced by the wattage of the other devices.

Note: The typical splitter power cords that have IEC-320 C13 and C14 plugs have a recommended maximum capacity of five screens.

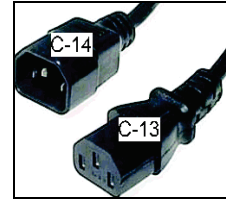


Figure 1: IEC-320 C13 and C14 plugs

Electrical Recommendations: 120 V and 240 V Treadmills

Note: This is a recommendation only. NEC (National Electric Code) guidelines or local region electric codes must be followed.

You should have received a power cable that meets your local electrical code requirements along with the equipment. Precor treadmills must be connected to a 20 amp individual branch circuit that can be shared only with one PVS. If you need additional help with the power connections contact your Precor authorized dealer.

Important: An individual branch circuit provides a hot conductor and neutral conductor to a receptacle. The conductors must not be looped, "daisy-chained", or connected to any other conductors. The circuit must be grounded according to NEC guidelines or local region electric codes.

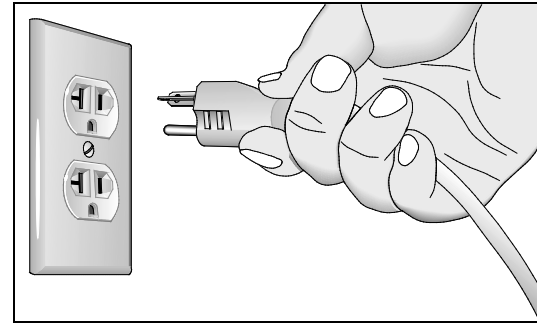


Figure 2: North American 120-volt, 20-amp power receptacle

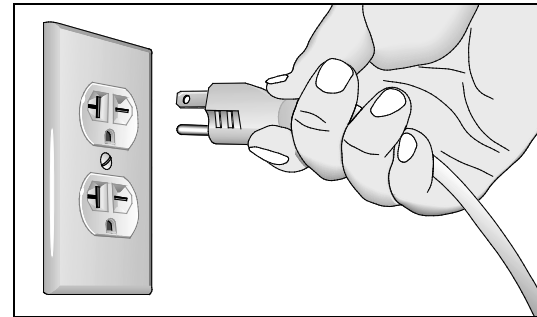


Figure 3: North American 240-volt, 20-amp power receptacle

Obtaining Service

Do not attempt to service the equipment except for maintenance tasks. If any items are missing, contact your dealer. For more information regarding customer support numbers or a list of Precor authorized service centers, visit the Precor web site at <http://www.precor.com>.

Table of Contents

Important Safety Instructions	1
Safety Precautions.....	1
Educating Users.....	3
Hazardous Materials and Proper Disposal.....	3
Product Recycling and Disposal.....	4
Regulatory Notices for Cardiovascular Exercise Equipment.....	4
Electrical Recommendations: All Equipment Excluding Treadmills.....	6
Electrical Recommendations: 120 V and 240 V Treadmills.....	7
Obtaining Service.....	7
EFX Features	9
Self-Powered Features.....	9
Using the Stationary Handrails.....	10
Moving Handlebars Support the Total Body Workout.....	10
CrossRamp Display.....	10
Heart Rate Features	11
Important Use and Safety Information.....	11
Wearing a Chest Strap.....	13
Using the Touch-Sensitive Grips.....	14
Using SmartRate.....	15
Exercise to Your Target Heart Rate.....	16
Heart Rate Analysis.....	16
Troubleshooting Heart Rate.....	17

Display Console	18
More Information about the CrossRamp Display.....	20
More Information about the Upper Display.....	20
More Information about the Lower Display.....	21
Keypads.....	23
Workout Options	27
Choosing QUICKSTART.....	28
Selecting a Program.....	29
Storing Workout Statistics.....	30
Changing Programs in Mid-session.....	31
Cooling Down After a Workout.....	31
Pausing During a Workout or the Cool-Down Period.....	32
Ending a Workout.....	32
Programs	33
Choosing a Program.....	33
Program Tips.....	33
Manual Program.....	34
Interval Program.....	34
Gluteal Program.....	35
Heart Rate Program.....	35
Weight Loss Program.....	36
Cross Training Program.....	37

EFX Features

The EFX is equipped with certain items that, when used properly, help sustain an enjoyable workout. These items include:

- Self-powered features
- Touch-sensitive grips
- Moving handlebars (536i only)
- Moving ramp

Important: Before exercising, review the safety instructions found at the beginning of this manual.

Self-Powered Features

The equipment does not require an electrical power connection. It has an internal battery that is recharged every time you exercise for a reasonable period of time. Meeting the minimum requirements for operation causes the Precor banner to appear. You can press QUICKSTART or select a program to begin exercising. For more information, refer to *Workout Options*.

If you do not meet the minimum requirements for operation, a 30-second shutdown process begins. Dots appear in the display and all key presses are ignored. If no movement is detected, the dots steadily disappear as the countdown continues.

If you wish to resume exercising, you need to do so before the dots disappear from the display.

Using the Stationary Handrails

To maintain your balance, always grasp a stationary handrail when you step on or off the equipment and when you use the keypads.

To learn more about the touch-sensitive grips, refer to *Heart Rate Features*.

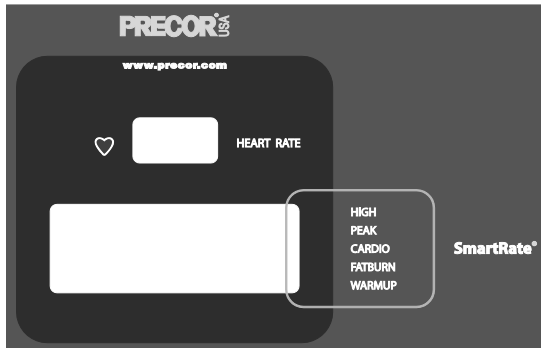
Moving Handlebars Support the Total Body Workout

On the 536i, moving handlebars provide an upper-body workout which helps increase cardiovascular fitness. By adding the total body movement to your cross training workout, you are actually increasing your work effort and enhancing your overall fitness level.

CrossRamp Display

The CrossRamp display indicates the muscles that are being affected as you exercise, which may help you increase the overall effectiveness of your session. Refer to *More Information about the CrossRamp Display*.

Heart Rate Features



Heart rate and SmartRate® features are available when you wear the chest strap or grasp both touch-sensitive grips. When a heartbeat is detected, the HEART RATE display shows your heart rate and, if your age has been entered, the SmartRate LED blinks and indicates your target zone.

Important Use and Safety Information

Read the following before using the heart rate or SmartRate features.

- Consult your physician before engaging in any vigorous exercise. Do not use the heart rate programs until authorized by your physician.
- Know your heart rate and your physician-recommended heart rate target zone. Individual heart rates vary according to several physiological factors and may not correspond directly with the following figure.
- Always face forward on the equipment and use the stationary handrail or handlebars for balance.
- On self-powered equipment, maintain a comfortable rate of motion above the minimum requirements. Check with the facility manager to determine the requirements to maintain power.

Heart Rate Target Zones

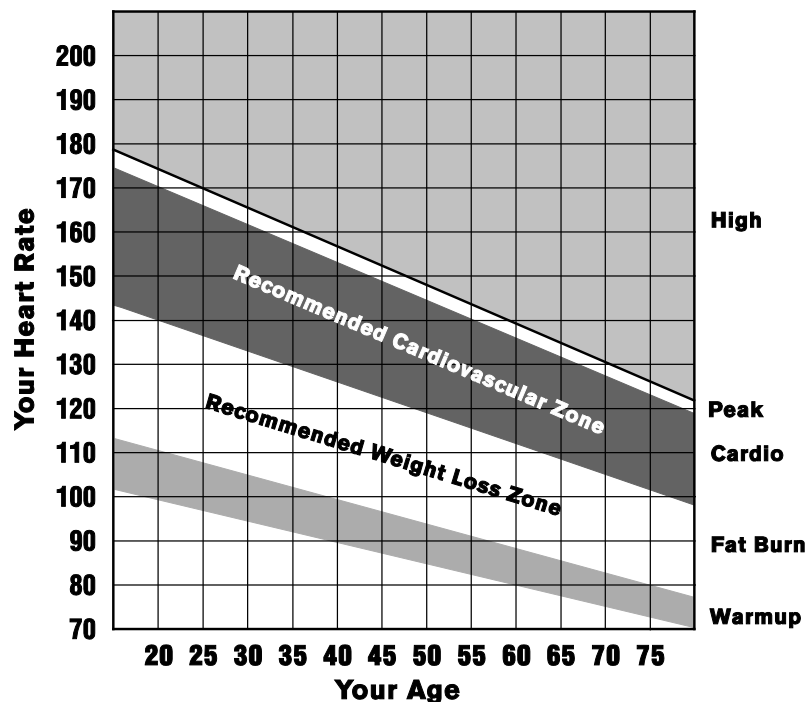


Figure 4: Heart rate target zones

- The calculation used for the heart rate target zone is:
 $(220 \text{ minus your age})$ multiplied by a percent.
 For example:
 Warmup range: $(220 \text{ minus your age})$ multiplied by 55%
 Peak range: $(220 \text{ minus your age})$ multiplied by 85%

- After you put on the chest strap, face the display console for a minimum of 15 seconds. This allows the receiver in the console to recognize the signal from the chest strap.
- If **Hr** blinks in the HEART RATE display, it is detecting a signal, but has not yet determined your heart rate. Make sure the chest strap is positioned properly around your chest and against your skin.
- If you prefer to use the touch-sensitive grips, grasp both and wait five to ten seconds. Make sure both hands are moist (not dry).
- When a signal is detected, a number flashes in the HEART RATE display and indicates your heart rate.

Wearing a Chest Strap

During a workout, the heart rate features appear on the display when you wear a chest strap. To receive an accurate reading, the chest strap needs to be in direct contact with your skin.

WARNING Signals used by the Chest Strap Transmitter (or heart rate strap) may interfere with pacemakers or other implanted devices. Consult your physician and the manufacturers of your Chest Strap Transmitter and implanted device before using a Chest Strap Transmitter.

Note: To receive an accurate reading, the strap needs to be in direct contact with the skin on the lower sternum (just below the bust line for women).

1. Carefully dampen the back of the strap with tap water. Refer to the following figure.

Note: Do not use deionized water. It does not have the proper minerals and salts to conduct electrical impulses.

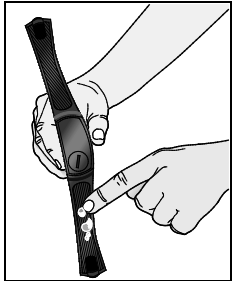


Figure 5: Moisten chest strap

2. Adjust the strap and fasten it around your chest. The strap should feel snug, not restrictive. Refer to the following figure.

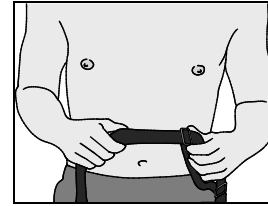


Figure 6: Adjust chest strap

3. Make sure that the chest strap is right side up, lies horizontally across your chest, and is centered in the middle of your chest. Refer to the following figure.

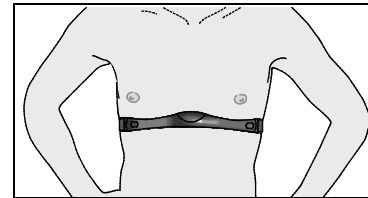


Figure 7: Fasten chest strap

After you put on the chest strap, face the display console for a few seconds. This allows the receiver in the console to recognize the signal from the chest strap.

Using the Touch-Sensitive Grips

While exercising, you must grasp both touch-sensitive grips for a minimum of five to ten seconds to transmit your heart rate to the display. Refer to the following figure.

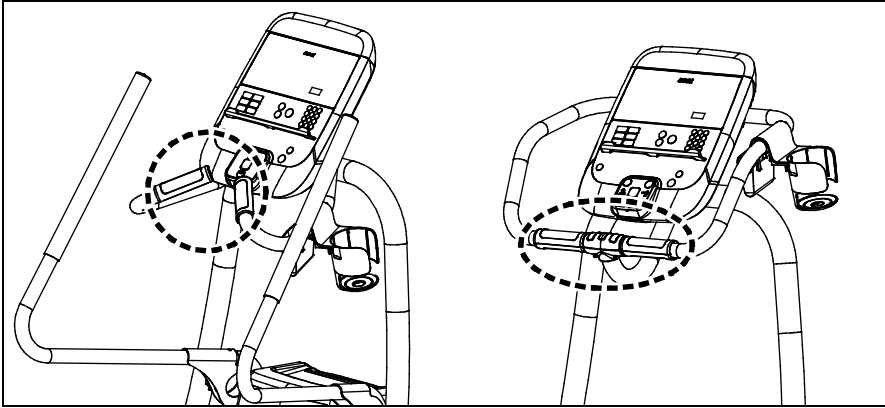


Figure 8: Touch-sensitive grips

Usually, the concentration of salts in a person's perspiration provides enough conductivity to transmit a signal to the receiver inside the display console. However, some people, because of body chemistry or erratic heart beats, cannot use the touch-sensitive grips. A chest strap may provide better results.

Important: While exercising, do not wear a chest strap and grasp the touch-sensitive grips at the same time. Using both features may cause erratic heart rate readings.

Using SmartRate

The SmartRate feature helps you monitor and maintain your heart rate in the target zone best suited to your specific needs. When a heart rate signal is detected, a single LED blinks and indicates the zone that your heart rate is in.

Important: To use the SmartRate feature, you must enter your age during program selection. Refer to Selecting a Program.

The following table shows the percents used in calculating the heart rate target zones. While your heart rate remains within these zones, the corresponding light blinks and provides a visual cue.

CAUTION: Your heart rate should never exceed 85% of your maximum aerobic heart rate or go above PEAK. If it does, immediately reduce the intensity of your workout to return your heart rate to your physician-recommended target zone.

Table 1. Heart rate target zones and SmartRate LEDs

Heart Rate Zone Percent	LED Lit	Target Zone Label
Below 55	First	WARMUP
55 to 61	Second	FAT BURN
62 to 69	Third	FAT BURN
70 to 77	Fourth	CARDIO
78 to 84	Fifth	CARDIO
85 to 87	Sixth	PEAK
Above 87	Seventh	HIGH

The SmartRate indicator lights do not blink when:

- You do not wear or improperly position the chest strap. Or, you fail to grasp both touch-sensitive grips for five to ten seconds.
- You do not enter your age during an exercise session.

For example, pressing QUICKSTART at the Precor banner causes the Manual Program to begin. Your age has not been entered and is considered a null value. Your heart rate will appear in the HEART RATE display when you hold onto the touch-sensitive grips or wear a chest strap, but none of the SmartRate LEDs blink because the appropriate calculations have not been made.

Note: You can remedy this situation by choosing a program using one of the PROGRAMS keys and entering your time, weight, and age.

Exercise to Your Target Heart Rate

A dedicated window displays your heart rate while you exercise. To view your heart rate (beats per minute) on the display, either wear a chest strap or grasp both touch-sensitive grips.

The Precor web site (www.precor.com) has several suggestions for workouts with varying levels of intensity. It provides many workout details that include the appropriate target heart rate.

The equipment includes one or more heart rate programs that let you exercise based on a specified target heart rate. As you exercise, the programs monitor your heart rate and automatically maintain it within a few beats per minute of your selected target. To use these programs, press the PROGRAMS – HEART RATE key. For more information, refer to *Programs*.

Heart Rate Analysis

Every time you complete a program using the chest strap or touch-sensitive grips, the display provides a heart rate analysis after the workout summary. Refer to *Ending a Workout*.

Your average heart rate appears followed by the maximum heart rate achieved during your workout. A third display appears, if you entered your age, and indicates the amount of time your heart rate remained between the target zones shown.

The heart rate analysis is based on how often your heart rate signal is received while exercising. If you use the chest strap, the average heart rate will be more accurate than if you occasionally grasp the touch-sensitive grips.

Troubleshooting Heart Rate

The following table may help you understand and troubleshoot erratic heart rate readings.

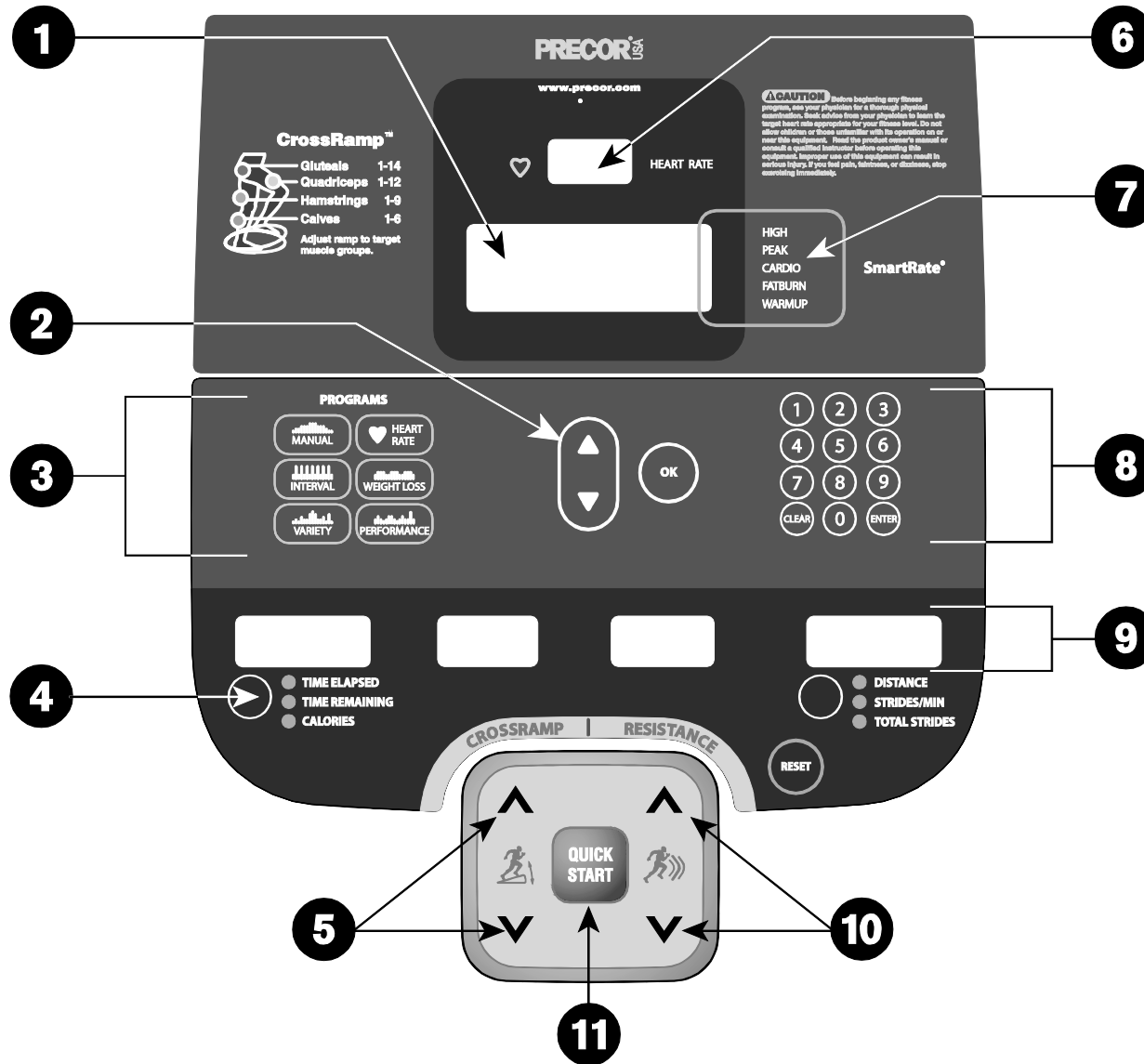
Important: A heart rate can only be detected when the Precor heart rate receiver is properly installed in the display. A user must wear the chest strap or grasp both touch-sensitive grips.

Table 2. Erratic heart rate readings

What appears on the display	Cause	What to do
Nothing	The heart rate receiver is not installed or it has been disconnected.	Call Customer Support. Refer to <i>Obtaining Service</i> .
HR or Hr	A signal is being detected through the chest strap or the touch-sensitive grips, but a valid heart rate is not yet established.	Be sure that the chest strap is moist, centered, and in direct contact with your skin. If you are using the touch-sensitive grips, continue to grasp both of them. Wait a few moments for your heart rate to appear.

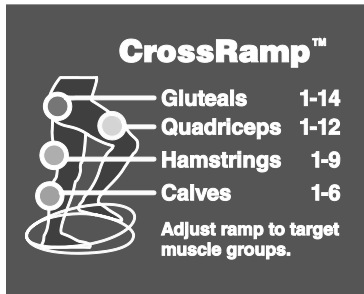
Note: To conduct electrical impulses from a user's heart, both touch-sensitive grips must be grasped firmly for five to ten seconds. Usually, the concentration of salts in a person's perspiration provides enough conductivity to transmit a signal to the receiver in the display console. However, because of body chemistry or erratic heartbeats, some people cannot use the touch-sensitive grips. A chest strap may provide better results.

Display Console



- 1 Center display:** Initially shows the Precor banner. It changes to the program profile when you select a program or press QUICKSTART. A blinking column in the profile indicates your position.
- 2 OK and Navigational arrow keys:** Use the OK key to confirm responses to specific prompts. Lets you display exercise information prior to selecting it with the OK key.
- 3 PROGRAMS keypad:** To begin an exercise session, press the PROGRAMS keys to view a menu of programs within each category. For program descriptions, refer to *Programs*.
- 4 Selection keys:** Press the key to move through the information in each column, so you can choose what you want to display during your session. Indicator lights appear next to the item that is displayed. You can perform the same function with the right selection key.
- 5 CROSSRAMP keys:** Use these keys to adjust the ramp incline.
- 6 HEART RATE display:** Use a chest strap or grasp both touch-sensitive grips to display and monitor your pulse.
- 7 SmartRate display:** LEDs light in this column when the SmartRate feature is activated. Follow the LEDs to monitor your heart rate and maintain it in your target zone.
- 8 Number keys:** During an exercise session, use the number keys to answer prompts or update information.
- 9 Lower display:** While you exercise, six sets of numbers show information about your session. Refer to *More Information about the Lower Display*.
- 10 RESISTANCE keys:** Use these keys to adjust the resistance.
- 11 QUICKSTART:** Press QUICKSTART to begin your workout immediately.

More Information about the CrossRamp Display

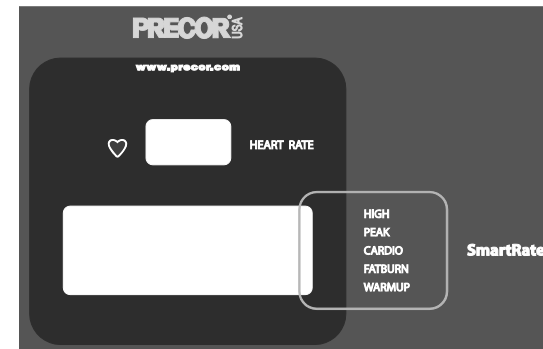


Changes in ramp incline affect different muscle groups. To target a specific muscle group, adjust the ramp incline within the levels shown in the following table.

Table 3. Leg muscle groups targeted by CrossRamp settings

Leg Muscle Group	CrossRamp Settings
Gluteal	1 through 14
Quadriceps	1 through 12
Hamstrings	1 through 9
Calves	1 through 6

More Information about the Upper Display



The upper display includes the HEART RATE, SmartRate, and a program profile display. The following descriptions explain what appears in the displays.

HEART RATE: Displays your heart rate when you wear a chest strap or grasp both touch-sensitive grips.

SmartRate: Displays your heart rate as a blinking segment which indicates the zone your heart rate is in when you enter your age after choosing a program and hold on to the touch-sensitive grips or use a chest strap. Use this display as a visual aid to keep your heart rate in your preferred zone.

Program profile—appears during an exercise session. A blinking segment in the profile indicates the column height as shown in the following figure. The profile raises or lowers according to which arrow key is pressed.

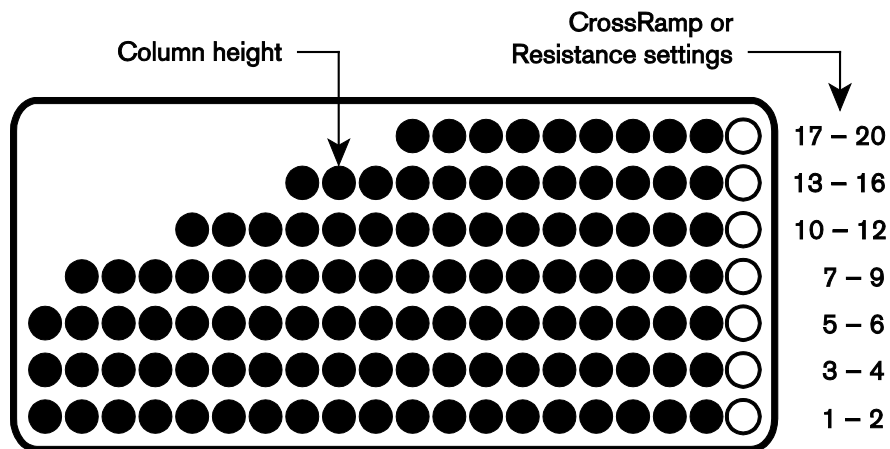
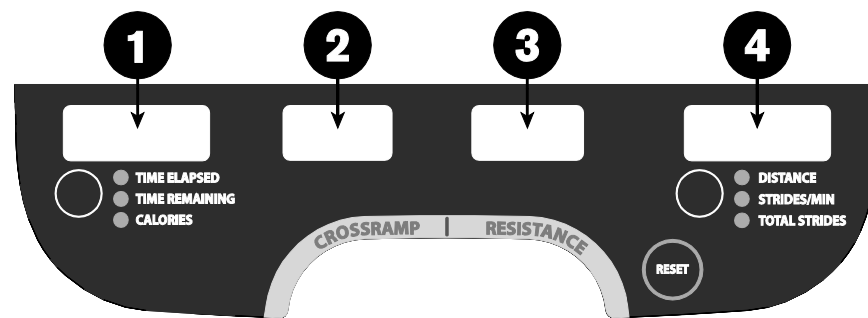


Figure 9: Parts of the program profile

During an exercise session, the display becomes a message bar showing additional information depending on user selections and program interludes.

More Information about the Lower Display



The lower display provides information about your workout session. Pressing the keys beneath each window affects what appears in the displays. Each display provides information about your workout statistics and is described in the list below.

Note: If you choose to rest a book or magazine on the display, you can still view these workout statistics.

1 TIME ELAPSED, TIME REMAINING, and CALORIES

TIME ELAPSED—displays time in minutes and seconds and indicates the amount of time you have been exercising. When you exceed 60 minutes during a single session, the display converts to hours and minutes.

Note: The fitness facility can place limits on workout time.

TIME REMAINING—shows the amount of time remaining in a workout. If the selected time is less than 60 minutes, the display shows time in minutes and seconds. If you select a time greater than 60 minutes, the display reflects hours and minutes until the countdown reaches 60 minutes, at which time the display reverts to minutes and seconds.

CALORIES—indicates the estimated cumulative number of calories being burned.

2 CROSSRAMP

CROSSRAMP—displays the incremental motion affected by the ramp position. The CROSSRAMP keys affect the lift and let you set a ramp incline between 1 and 20. The value displayed can change in whole number increments.

3 RESISTANCE

RESISTANCE—displays the resistance you feel against your stride. The RESISTANCE keys let you set a resistance level between 1 and 20.

4 DISTANCE, STRIDES/MIN, TOTAL STRIDES

DISTANCE—shows the linear distance in either miles or kilometers.

STRIDES/MIN—displays the number of strides you complete in a minute up to a maximum value of 510 strides per minute. A stride is an exaggerated walking movement. If you start in a position with one foot pedal forward, a stride is completed when you move the rear foot pedal all the way forward while the other foot pedal moves to the rear. Two strides create one complete revolution of the flywheel. So, the value that appears on the display is always an even number between 56 and 510. The average and most effective pace is between 100 and 150 strides per minute.

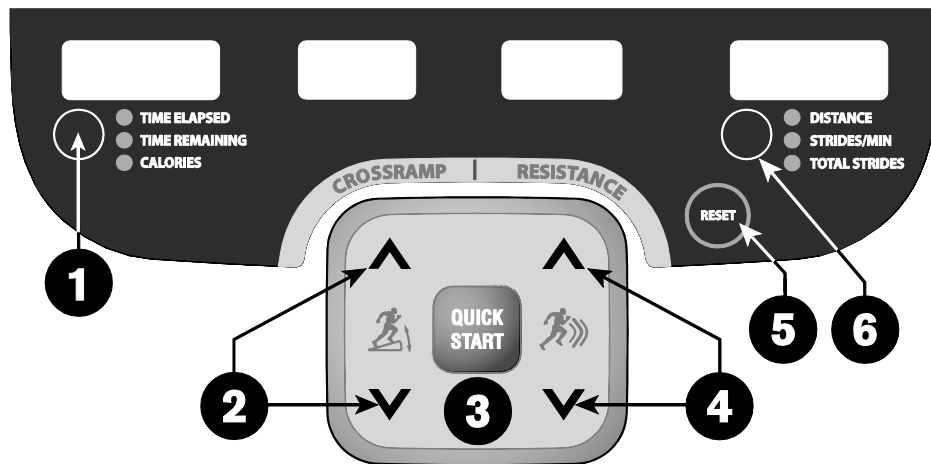
TOTAL STRIDES—shows the total number of strides completed, which is always an even number since two strides create one complete revolution of the flywheel.

Keypads

Use the keypads to enter program selections and display preferences.

Multiple keypads exist on the console display including a navigational keypad in the center of the display, and a PROGRAMS keypad.

Lower Display Keypad and the Selection Keys



- 1 Left selection key:** Every time you press this key, the display reflects the amount of time elapsed since you began your exercise session, your time remaining, or your estimated number of calories burned. An LED lights and indicates which information is being displayed.
- 2 CROSSRAMP:** Press and hold a CROSSRAMP key to increase or decrease the force applied against your stride from 1 to 20.

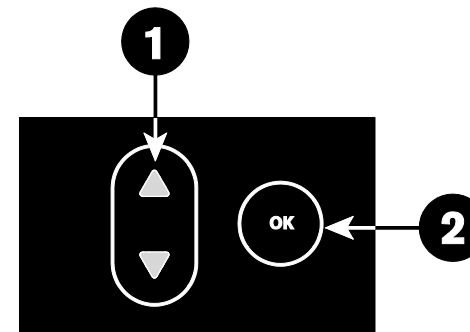
Ramp changes occur only when the foot pedals are in motion. The number that appears on the display indicates the selected CrossRamp setting, not the degree of incline. There is not a one-to-one relationship between the degree of incline and the percent of the CrossRamp grade setting which appears in the lower display. The setting affects the column height in the program profile. Refer to the figure in *More Information about the Upper Display*.

Changes to the ramp incline are not immediate. It takes time for the lift to reach the target incline shown on the display.

- 3 QUICKSTART:** Press QUICKSTART to start your exercise session immediately using the Manual Program. Refer to *Choosing QUICKSTART*.
- 4 RESISTANCE:** Press and hold a RESISTANCE key to increase or decrease the force applied against your stride from 1 to 20.

- 5 RESET:** Press this key to end the exercise session and view your workout summary. An exception to this rule exists if you have entered the 30-second shutdown period. When you press RESET, the display returns to the banner. Refer to *Pausing During a Workout or the Cool-Down Period* or *Self-Powered Features*.
- 6 Right selection key:** Every time you press this key, the display reflects the distance traveled since you began your exercise session, your strides per minute, or the total strides. An LED lights and indicates which information is being displayed.

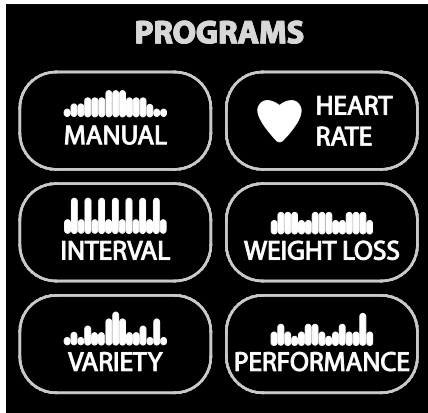
Navigational Keypad



The navigational keypad provides several ways to change your exercise session and to display various workout statistics. The OK key, which allows you to confirm display selections, is also part of the navigational keypad.

- 1 Up and Down Arrows:** These keys present the available selections and affect what appears on the display. Throughout this manual they are referred to as the navigational arrow keys.
- 2 OK:** Use the OK key to confirm responses to specific prompts.

PROGRAMS Keypad



The PROGRAMS keypad provides access to all the exercise programs.

To use the program keypad:

1. Press the center of the key to view the top level program in its menu.
2. Press the OK key to confirm your selection.

Table 4. Available programs

PROGRAMS Key	Program Menu
MANUAL	MANUAL
INTERVAL	INTERVAL
VARIETY	GLUTEAL
HEART RATE	BASIC HRC*
WEIGHT LOSS	WEIGHT LOSS
PERFORMANCE	CROSS TRAINING

* Use of a chest strap or the touch-sensitive grips is required.

Number Keypad

The number keypad has several functions depending on what is connected to the equipment.



Table 5. Connections

Connection	Description
Computer (CSAFE compatible)	If a computer is attached to the CSAFE connection on the equipment, the number keypad lets you enter your user ID and answer other setup prompts.
Entertainment Option	If an entertainment option is connected to the display, the number keypad acts as a remote control which you use to select the available channels. You can also enter number values in answer to exercise session prompts.
Unconnected	Whether or not peripheral devices are attached to the equipment, the keypad lets you enter number values in answer to exercise session prompts. You need to press ENTER or OK to confirm the selection.

The CLEAR and ENTER keys provide the following functions:

CLEAR: Use the CLEAR key to remove the last number being displayed.

ENTER: Use the ENTER key to accept the number being displayed.

Note: The OK and ENTER keys are usually interchangeable and provide the same function when no peripheral devices are attached to the equipment. However, when answering prompts that originate from a CSAFE device or computer connection, use the ENTER key.

Workout Options

CAUTION: Before beginning any fitness program, see your physician for a complete physical examination. Know your physician-recommended heart rate target zone.

To begin your workout:

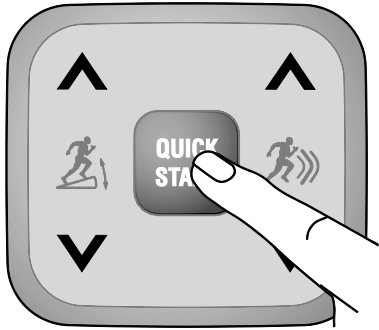
1. Face the display.
2. Hold on to a handrail and step on the foot pedals.
3. When you are comfortably situated, begin pedaling.

4. Select one of the following options:

Option...	Steps...
To start exercising immediately	Press the QUICKSTART key.
To select a program	Press a PROGRAMS key.
To enter a user ID	Use the ENTER key.

Note: The QUICKSTART key is disabled when you press a PROGRAMS key. You need to confirm each exercise session selection (program, time, weight, and age) using the OK key.

Choosing QUICKSTART



1. Begin pedaling.
2. While the Precor banner scrolls, press QUICKSTART to begin the Manual Program.

QUICKSTART applies the following defaults:

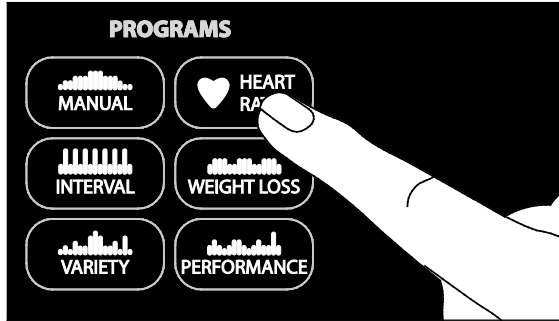
Prompts	Default Value
Program	Manual
Time	Fitness Facility setting
Weight	150 lb (68 kg)
Age	0

3. Use the RESISTANCE keys to change the resistance and the CROSSRAMP keys to change the ramp incline.
4. Maintain a comfortable and consistent stride rate while exercising.

To use the SmartRate feature, you need to specify your age and wear a chest strap or grasp both touch-sensitive grips. In this case, press MANUAL, and then press OK. Follow the prompts to enter your weight and age. You can use the navigational arrow keys or the number keypad to change the blinking prompts. Press OK to confirm your entries. Refer to *Selecting a Program*.

Selecting a Program

1. While the Precor banner scrolls, press a PROGRAMS key, and then press OK.



2. A time prompt blinks in the display. Use the navigational arrow keys or the number keys to adjust the minutes (1–240) and then press OK. (Or, press CLEAR to return to the default time limit.)

Note: The fitness facility can set limits for workout, pause, and cool-down times. So, selecting an unlimited workout time may not be allowed. Check with your fitness facility manager.

To access the NO LIMIT option, at the time prompt use the number keypad and type in 240, then press the up arrow key. When NO LIMIT appears, press OK.

If you choose this option, the automatic cool down period is eliminated. You will need to incorporate a cool down period by accessing the Manual Program.

3. Enter your weight (1–999) and then your age (1–99).

Note: To change a value (program, time, weight, or age) that you have already entered, continue pedaling and press RESET to return to the Precor banner. Select a program and reenter the appropriate values.

4. Maintain a comfortable and consistent RPM while exercising.

Note: The default workout time is 30 minutes.

Storing Workout Statistics

In some fitness facilities, Precor equipment is connected to a computer so that you can easily retrieve your workout statistics and determine how well you are meeting your fitness goals. If you are interested in maintaining workout statistic information, ask the manager to create a user account and a user ID for you. A user ID entry is required to store your statistics.

Note: If the display is blank, you will need to maintain the minimum rate of motion to supply power. If the Precor banner appears, the equipment is not connected to a computer.

If the equipment is connected to a computer, the following appears:

CHOOSE QUICKSTART, ENTER, OR A PROGRAM TO BEGIN

To save the statistics generated during your exercise session:

1. Press ENTER.
2. Use the number keypad to specify your 5-digit user ID. If you make a mistake, press the CLEAR key and reenter the correct number.
3. When your user ID is shown, press ENTER.

A message appears and indicates when the user ID is accepted by the computer.

4. To begin your exercise session, select a program.

Note: To bypass the user ID entry, press ENTER while all five zeros appear in the user ID field. The statistics generated during your exercise session will not be added to your file.

Changing Programs in Mid-session

You can change programs in the middle of a session by selecting a new program from the PROGRAMS key menu and pressing OK. All accumulated statistics are transferred to the new program as you continue exercising.

Certain programs, such as Basic HRC and Weight Loss, are not available for mid-session transfers due to set goals and program preferences. If this occurs, a message scrolls across the center display.

Note: You cannot select a different program if you are in the cool down period or if you stop pedaling and the equipment is in the pause mode.

Cooling Down After a Workout

Cool down periods are designed to help lower your heart rate toward the end of a workout session.

When you complete a program with a time limit or specified goal, you automatically enter a cool down period. The settings change to help reduce the intensity of your workout.

Note: You cannot switch to a different program during the cool down period. Any pressure on the PROGRAMS keys is ignored.

A workout summary appears at the end of the cool down period.

A cool down period will not be appended to your exercise session if any one of the following occurs:

- The fitness facility allows an unlimited time goal. A user must enter a time goal of NO LIMIT to access this option.
- The fitness facility sets a cool down time of zero, which eliminates the cool down phase.
- You exit a program before completing it.

If you specify an unlimited time or the fitness facility removed the cool down phase, remember to incorporate a cool down period at the end of your exercise session.

Pausing During a Workout or the Cool-Down Period

If your rate of motion drops below minimum requirements while exercising or during the cool down period, a 30-second shutdown is initiated. You cannot pause for a longer period of time or change to a different program unless the fitness facility has the optional power adapter attached to the equipment.

When the optional power adapter is attached, you can pause for a set time, usually two minutes. If you do not resume exercising during that time, the display returns to the banner.

- To pause, slow to a stop.
- To exit pause mode, resume exercising.

Note: In pause mode, you have the ability to change your program selection if the optional power adapter is attached. Refer to *Changing Programs in Mid-session*.

Ending a Workout

CAUTION: Hold on to a stationary handrail when you near the end of your exercise session.

1. To view your workout summary, maintain the minimum rate of motion when you complete the cool-down period.

The workout summary appears and shows your cumulative statistics including warm-up and cool-down periods. You can review your statistics as long as you maintain power with the minimum rate of motion.

2. End your session by pressing **RESET** to return to the Precor banner.
3. Slow your movement to a stop.
4. Hold on to a stationary handrail as you step off the equipment.

Note: If the optional power adapter is attached, you do not have to continue the minimum rate of motion to view your workout statistics. When you complete the cool-down period, the workout summary appears. When you are ready, press **RESET** to return to the Precor banner.

If you hold on to the touch-sensitive grips or wear a chest strap while exercising, a heart rate analysis appears during the workout summary.

Programs

This section describes the programs available on the equipment. Use the following table to learn more about each workout program.

Choosing a Program

Choosing a program depends on your goals. If you are a beginner or returning to regular exercise, you can start a cardio-conditioning program to slowly return your body to a comfortable level of exercise. If you have been exercising and feel that you have an intermediate or advanced fitness level, you probably have established goals. The Precor web site (www.precor.com) can give you many ideas about fitness routines and advice from the experts.

Several of the exercise choices on the equipment are preprogrammed with recommended settings. However, you have the option to override the suggested settings, with some exceptions. If changes are not allowed, a message scrolls across the display explaining your options.

If your level of exertion becomes too great, reduce your level of intensity by overriding each upcoming segment in the program profile. When you complete a program that contains a time limit or goal period, an automatic cool-down period begins.

Program Tips

- Begin at the Precor banner and choose a program by pressing a PROGRAMS key or QUICKSTART.
- While exercising, you need to sustain your exercise motion. Stopping any movement causes the equipment to shut down to conserve battery power.
- A blinking column indicates your position as you progress through a workout.
- To use the SmartRate feature, you need to specify your age and wear a chest strap or hold on to the touch-sensitive grips.
- In some programs, an unlimited time setting may be an available option.
- The fitness facility can set limits on workout, pause, and cool down times and customize other aspects of your exercise session. Check with your manager to learn if any limits are in place that might affect your program selections.



Manual Program

The Manual Program profile, available by pressing the MANUAL key, begins as a flat line. You control the CrossRamp incline and resistance settings using the CROSSRAMP and RESISTANCE keys. The program profile reflects any changes. The blinking column indicates your position in the program.

A cool-down period occurs automatically when you end your workout. An exception to the cool-down period exists if the fitness facility allows it. Refer to *Cooling Down After a Workout* for more information.

Note: To use the SmartRate feature, you need to specify your age by accessing the Manual Program through the PROGRAMS key and answering the age prompt. If you use QUICKSTART to access the Manual Program, your age has a zero or null value so the SmartRate feature is not available.

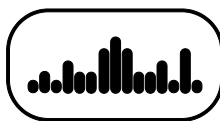


Interval Program

The Interval Program, available by pressing the INTERVAL key, is among the best for conditioning your cardiovascular system. The program raises and lowers your level of exertion repeatedly for the specified period of time.

The program lets you choose the rest and work intervals according to your training regimen.

While exercising, you can vary your stride rate and the resistance. To change the preset resistance settings, use the RESISTANCE keys. The settings are repeated throughout the remainder of the program. The display lets you know when the resistance is about to change and it indicates the levels of the next interval.



Gluteal Program

The Gluteal Program, available by pressing the VARIETY key, is designed to exercise the gluteal muscles. The ramp incline levels are preprogrammed. You can monitor the current intensity of your workout by reviewing the profile, which tracks the ramp level as it changes.



Heart Rate Program

The Basic HRC Program, available by pressing the HEART RATE key, lets you set a target for your heart rate. The program adjusts the resistance to maintain your heart rate within two beats per minute of the target heart rate while you exercise. To use this program, you must enter your age and wear a chest strap so your heart rate can be monitored throughout the session.

Important: Consult your physician to determine the appropriate target heart rate for your age and fitness level. If your physician recommends a different target heart rate than the one that appears on the display, use the navigational arrow keys to change the target heart rate once you finish the warm-up period. Do not exercise over the recommended range.

Heart Rate Program Tips

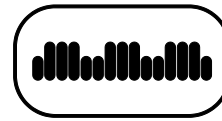
The Basic HRC Program enhances your overall cardiovascular fitness levels to help you achieve your weight loss and fitness goals. Read through the following tips before selecting the Basic HRC Program. These tips provide general information regarding how the program functions. For more information and exercise suggestions, refer to the Precor web site at www.precor.com.

Important: Maintain a rate of motion above the minimum requirements. Refer to Self-Powered Features. Automatic adjustments to the resistance cannot take place if you drop below the minimum requirements for operation.

- The program provides a 3-minute warm-up period. During this time, you may change the resistance or CrossRamp settings.
Note: When your target heart rate is achieved or the 3-minute period elapses, the warm-up period ends and the program begins.
- The program automatically adjusts the resistance to keep your heart rate at the selected target. After the warm-up period, pressing the RESISTANCE keys no longer affects the resistance levels. Check the SmartRate display to see if you are maintaining your preferred zone. Check the HEART RATE display to determine your actual heart rate. For information about understanding your target heart rate, refer to *Heart Rate Features*.

- You can change the target heart rate, but doing so affects how well your target heart rate remains in the preferred zone. It takes time to readjust the resistance so that your heart rate remains on target.
- If you wish to quit the Basic HRC Program, you can make a mid-session transfer to another program, but you cannot return or transfer mid-session to the Basic HRC Program.
- A cool down period is automatically added to the end of the program.

If you are having difficulty with the heart rate features, talk to your fitness facility manager.



Weight Loss Program

The Weight Loss Program, available by pressing the WEIGHT LOSS key, provides a program targeted at lowering body fat while improving muscle tone and conditioning.

The workout time is fixed at 28 minutes and consists of seven 4-minute intervals. You are not prompted for a workout time.

Use the RESISTANCE keys to change the resistance for the rest or work intervals. When you make changes, the program repeats the settings for the remaining intervals. You can use the CROSSRAMP keys to change the ramp incline.

The display lets you know when the resistance levels are about to change.

Note: You cannot transfer mid-session to the Weight Loss Program.

For the ideal weight loss range, your heart rate should remain between 55% and 70% of your maximum aerobic heart rate. If you wear a chest strap or grasp both touch-sensitive grips, you can use SmartRate as a visual cue.

- Set a comfortable stride rate and then adjust the settings.
- Maintain a level of exertion so that the SmartRate LEDs in the FATBURN target zone blink in the display during the rest intervals.
- During the work intervals, increase your level of exertion so that the LEDs in the CARDIO target zone blink.

For more information about the SmartRate display, refer to *Using SmartRate*.



Cross Training Program

The Cross Training Program, available by pressing the PERFORMANCE key, has preprogrammed CrossRamp levels. The programs consist of an alternating profile that focuses on working the thigh and calf muscle groups.

You can change the CrossRamp and resistance levels during your workout. Your changes are applied to the levels for the remainder of the workout, and the columns in the profile show the changed CrossRamp levels.

Notes:

Notes:

Notes:

532i/534i Elliptical Fitness CrossTrainers™

Product Specifications

	532i	536i
Length	84 in (213 cm)	84 in (213 cm)
Width	31 in (79 cm)	31 in (79 cm)
Height	66.5 in (168 cm)	66.5 in (168 cm)
Weight	245 lb (111 kg)	265 lb (120 kg)
Shipping weight	295 lb (133 kg)	305 lb (138 kg)
Power	Self-powered	Self-powered
CrossRamp®	15° - 40°	15° - 40°
Incline Settings	1-20	1-20
Resistance Levels	1-20	1-20
Frame	Powder-coated steel	Powder-coated steel
Regulatory Approvals	FCC, ETL, CE	FCC, ETL, CE

Product Features

CSAFE
QuickStart™
SmartRate®
Heart Rate Telemetry*
Touch Heart Rate

Programs

Manual
Interval
Variety
Gluteal
Heart Rate
Basic HRC*
Weight Loss
Performance
Cross Training

Electronic Readouts

% Complete
Average Heart Rate*
Calories
CrossRamp
Distance
Heart Rate*
Maximum Heart Rate*
Profile
Resistance
SmartRate*
Strides per Minute
Target Heart Rate
Time
Time Elapsed
Time in Heart Rate Zone*
Time Remaining
Total Strides
Workout Summary

* Use of a chest strap or touch-sensitive handrail is required.

Precor, C, CrossRamp, EFX, M, Move Beyond, and SmartRate are registered trademarks of Precor Incorporated. Crosstrainer, QuickStart, and StretchTrainer are trademarks of Precor Incorporated.

Copyright 2011 Precor Incorporated.

Specifications subject to change without notice.

www.precor.com

NOTICE:

Precor is widely recognized for its innovative, award winning designs of exercise equipment. Precor aggressively seeks U.S. and foreign patents for both the mechanical construction and the visual aspects of its product design. Any party contemplating the use of Precor's product designs is hereby forewarned that Precor considers the unauthorized appropriation of its proprietary rights to be a very serious matter. Precor will vigorously pursue all unauthorized appropriation of its proprietary rights.

PRECOR^{USA}
move beyond®

Precor Incorporated
20031 142nd Ave NE
P.O. Box 7202
Woodinville, WA USA 98072-4002



EFX53xi URM 49983-201 rev C, en
30 December 2011

Product Owner's Manual

Commercial Products

Treadmills:

- 954i
- 932i

Ellipticals:

- EFX536i
- EFX532i

Bike:

- 842i



Important Safety Instructions

Read all instructions in the documentation provided with your exercise equipment, including all assembly guides, user guides, and owner's manuals, before installation of this device.

The display apparatus (hereinafter referred to as the *console*) is intended to be shipped with new Precor exercise equipment (hereinafter referred to as the *base unit*). It is not packaged for individual sale.

WARNING To prevent injury, the console must be attached securely to the base unit following all assembly and installation instructions shipped with the base unit. The console is intended to be connected to AC mains power through the furnished power supply ONLY. It should be powered on only when installed as described in the assembly and installation instructions shipped with the base unit. The console is intended for use only with Precor fitness equipment, not as a standalone device.

Safety Precautions

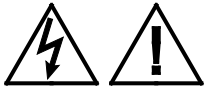
Always follow basic safety precautions when using this equipment to reduce the chance of injury, fire, or damage. Other sections in this manual provide more details of safety features. Be sure to read these sections and observe all safety notices. These precautions include the following:

- Read all instructions in this guide before installing and using the equipment and follow any labels on the equipment.

- Make sure all users see a physician for a complete physical examination before they begin any fitness program, particularly if they have high blood pressure, high cholesterol or heart disease; have a family history of any of the preceding conditions; are over the age of 45; smoke; are obese; have not exercised regularly in the past year; or are taking any medication.
- *Il est conseillé de subir un examen médical complet avant d'entreprendre tout programme d'exercice. Si vous avez des étourdissements ou des faiblesses, arrêtez les exercices immédiatement.*
- Do not allow children, or people unfamiliar with the operation of this equipment, on or near it. Do not leave children unsupervised around the equipment.
- Make sure all users wear proper exercise clothing and shoes for their workouts and avoid loose or dangling clothing. Users should not wear shoes with heels or leather soles, and they should check the soles of their shoes to remove any dirt and embedded stones. They should also tie long hair back.
- Never leave the equipment unattended when it is plugged in. Unplug the equipment from its power source when it is not in use, before cleaning it, and before providing authorized service.
Note: The optional power adapter is considered a power source for self-powered equipment.
- Use the power adapter provided with the equipment. Plug the power adapter into an appropriate, grounded power outlet as marked on the equipment.

- Care should be taken when mounting or dismounting the equipment.
 - Read, understand, and test the emergency stop procedures before use.
 - Keep the power cord or optional power adapter and plug away from heated surfaces.
 - Route power cables so that they are not walked on, pinched, or damaged by items placed upon or against them, including the equipment itself.
 - Ensure the equipment has adequate ventilation. Do not place anything on top of or over the equipment. Do not use on a cushioned surface that could block the ventilation opening.
 - Assemble and operate the equipment on a solid, level surface.
 - Proper Location for Equipment
 - For all equipment other than treadmills: Locate at least 40 inches (1 meter) away from walls or furniture on either side of the equipment, and 40 inches (1 meter) away from objects behind the equipment.
 - For treadmills: Locate at least 40 inches (1 meter) away from walls or furniture on either side of the treadmill, and at least 80 inches (2 meters) away from objects behind the treadmill.
- Important:** *These location standards should also be used when positioning equipment away from sources of heat, such as radiators, heat registers, and stoves. Avoid temperature extremes.*
- Keep equipment away from water and moisture. Avoid dropping anything on or spilling anything inside the equipment to prevent electric shock or damage to the electronics.
 - When using the treadmill, always attach the safety clip to your clothing before beginning your workout. Failure to use the safety clip may pose a greater risk of injury in the event of a fall.
 - Keep in mind that heart rate monitors are not medical devices. Various factors, including the user's movement, may affect the accuracy of the heart rate readings. The heart rate monitors are intended only as exercise aids in determining heart rate trends in general.
 - Do not operate electrically powered equipment in damp or wet locations.
 - Never operate this equipment if it has a damaged cord or plug, if it is not working properly, or if it has been dropped, damaged, or exposed to water. Call for service immediately if any of these conditions exist.
 - Maintain the equipment to keep it in good working condition, as described in the *Maintenance* section of the owner's manual. Inspect the equipment for incorrect, worn, or loose components, and then correct, replace or tighten prior to use.
 - If you plan to move the equipment, obtain help and use proper lifting techniques.
 - Equipment Weight Restrictions: Do not use the treadmill if you weigh more than 500 pounds (225 kg). If you weigh more than 350 pounds (160 kg), do not run on the treadmill. For all other fitness equipment, the weight limit is 350 pounds (160 kg).
 - Use the equipment only for its intended purpose as described in this manual. Do not use accessory attachments that are not recommended by Precor. Such attachments may cause injuries.
 - Do not operate the equipment where aerosol (spray) products are being used or where oxygen is being administered.
 - Do not use outdoors.

- Do not attempt to service the equipment yourself, except to follow the maintenance instructions in the owner's manual.
- Never drop or insert objects into any opening. Keep hands away from moving parts.
- Do not set anything on the stationary handrails, handlebars, control console, or covers. Place liquids, magazines, and books in the appropriate receptacles.
- Do not lean on or pull on the console at any time.



CAUTION: DO NOT remove the cover, or you may risk injury due to electric shock. Read the assembly and maintenance guide before operating. There are no user-serviceable parts inside. Contact Customer Support if the equipment needs servicing. For use with single phase AC power only.

Educating Users

Take time to educate users about the Important Safety Instructions found in both the *User Reference Manual* and *Product Owner's Manual*. Explain to your club or facility patrons that they should observe the following precautions:

- Hold onto a stationary handrail or handlebar while assuming the starting position on the equipment.
- Face the console at all times.
- On treadmills, straddle the running belt and attach the safety clip to clothing at waist level before touching the control console.
Important: *For safety, make sure users step onto the running belt while it is moving at or below 1 mile per hour (1.6 kilometers per hour).*
- Hold on to a stationary handrail or handlebar with one hand whenever you operate the console keys with the other hand.

Hazardous Materials and Proper Disposal

The batteries within self-powered equipment contain materials that are considered hazardous to the environment. Federal law requires proper disposal of these batteries.

If you plan to dispose of your equipment, contact Precor Commercial Products Customer Support for information regarding battery removal. Refer to *Obtaining Service*.

Product Recycling and Disposal

This equipment must be recycled or discarded according to applicable local and national regulations.

Product labels, in accordance with European Directive 2002/96/EC concerning waste electrical and electronic equipment (WEEE), determine the framework for the return and recycling of used equipment as applicable throughout the European Union. The WEEE label indicates that the product is not to be thrown away, but rather reclaimed upon end of life per this Directive.

In accordance with the European WEEE Directive, electrical and electronic equipment (EEE) is to be collected separately and to be reused, recycled, or recovered at end of life. Users of EEE with the WEEE label per Annex IV of the WEEE Directive must not dispose of end of life EEE as unsorted municipal waste, but use the collection framework available to customers for the return, recycling, and recovery of WEEE. Customer participation is important to minimize any potential effects of EEE on the environment and human health due to the potential presence of hazardous substances in EEE. For proper collection and treatment, refer to *Obtaining Service*.

Regulatory Notices for Cardiovascular Exercise Equipment

The regulatory information in this section applies to the exercise equipment and its control console.

Safety Approvals for Cardiovascular Equipment

Precor equipment has been tested and found to comply with the following applicable safety standards.

Cardiovascular Type Equipment:

- CAN/CSA, IEC, EN 60335-1 (Household and similar electrical appliances - Safety)
- EN 957 (Stationary training equipment, class S/B compliant equipment)

PVS Regulatory Notice

This Precor equipment has been tested and found to comply with the following applicable safety standards.

- CAN/CSA, UL, IEC, EN 60065 (Audio, video and similar electronic apparatus - Safety)

Radio Frequency Interference (RFI)

This Precor exercise equipment conforms to the following national standards defining acceptable limits for radio frequency interference (RFI).

Federal Communications Commission, Part 15

This equipment has been tested and found to comply with the limits for a Class A digital device, pursuant to Part 15 of the FCC Rules. These limits are designed to provide reasonable protection against harmful interference in a commercial installation. The equipment generates, uses, and can radiate radio frequency energy and, if not installed and used in accordance with the owner's manual instructions, may cause harmful interference to radio communications.

WARNING Per FCC rules, changes or modifications not expressly approved by Precor could void the user's authority to operate the equipment.

Industry Canada

This Class A digital apparatus complies with Canadian ICES-003.

Cet appareil numérique de la classe A est conforme à la norme NMB-003 du Canada.

**ATTENTION: Haute Tension
Débranchez avant de réparer**

European Applications

CE compliance is claimed to the following directives:

- 2004/108/EC EMC Directive
- 2006/95/EC LVD Directive
- 2002/95/EC RoHS Directive

Directive compliance has been verified to the following standards:

- EN 55022
- EN 55024
- EN 60335-1
- EN 60065 (P80 and PVS)

Electrical Recommendations: All Equipment Excluding Treadmills

Note: This is a recommendation only. NEC (National Electric Code) guidelines or local region electric codes must be followed.

For equipment fitted with a P80 console or Personal Viewing System (PVS) screen a separate power connection is required. For a 20 amp branch circuit up to 10 screens can be connected. If the branch circuit has any other devices plugged into the circuit the number of screens must be reduced by the wattage of the other devices.

Note: The typical splitter power cords that have IEC-320 C13 and C14 plugs have a recommended maximum capacity of five screens.

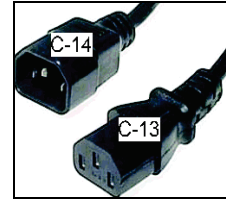


Figure 1: IEC-320 C13 and C14 plugs

Electrical Recommendations: 120 V and 240 V Treadmills

Note: This is a recommendation only. NEC (National Electric Code) guidelines or local region electric codes must be followed.

You should have received a power cable that meets your local electrical code requirements along with the equipment. Precor treadmills must be connected to a 20 amp individual branch circuit that can be shared only with one PVS. If you need additional help with the power connections contact your Precor authorized dealer.

Important: An individual branch circuit provides a hot conductor and neutral conductor to a receptacle. The conductors must not be looped, "daisy-chained", or connected to any other conductors. The circuit must be grounded according to NEC guidelines or local region electric codes.

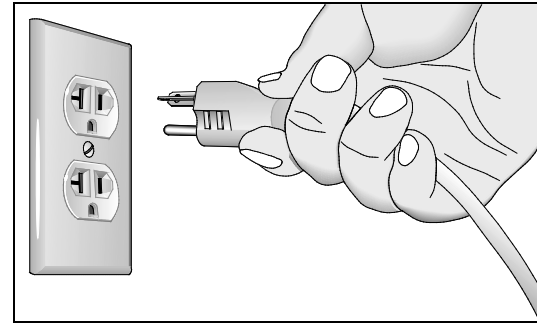


Figure 2: North American 120-volt, 20-amp power receptacle

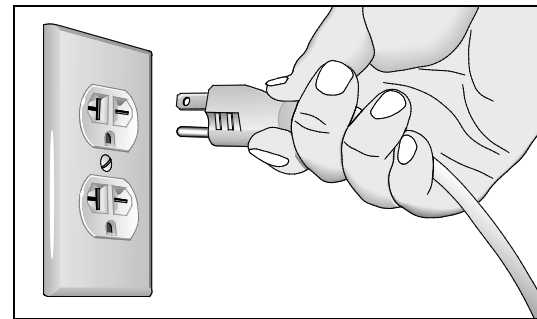


Figure 3: North American 240-volt, 20-amp power receptacle

Obtaining Service

Do not attempt to service the equipment except for maintenance tasks. If any items are missing, contact your dealer. For more information regarding customer support numbers or a list of Precor authorized service centers, visit the Precor web site at <http://www.precor.com>.

Table of Contents

Important Safety Instructions	1
Safety Precautions.....	1
Educating Users.....	3
Hazardous Materials and Proper Disposal.....	4
Product Recycling and Disposal.....	4
Regulatory Notices for Cardiovascular Exercise Equipment.....	4
Electrical Recommendations: All Equipment Excluding Treadmills.....	6
Electrical Recommendations: 120 V and 240 V Treadmills.....	7
Obtaining Service.....	7
Treadmill Safety Features	10
Entering the Safety Code.....	10
Using the Safety Clip.....	10
Turning the Treadmill On and Off.....	11
Weight Limit	11
Location.....	11

Self-Powered Features	12
Informational Displays Prior to Shutdown.....	12
Symptoms of a Low Battery.....	13
Using the Optional Power Adapter.....	13
The Optional Power Adapter Kit	14
Replacing the Battery	14
Club Features	15
Club Programming Tips.....	17
Changing the Product Settings.....	17
Treadmill: Selecting Safety Code Protection	21
Choosing a Language.....	21
Selecting a U.S. Standard or Metric Display.....	22
Setting a Workout Session Time Limit	22
Setting a Pause Time Limit.....	23
Setting a Cool Down Time Limit.....	23
Treadmill: Determining the Club Speed Limit	24
Treadmill: Setting an Incline Limit	24
Treadmill: Accessing Performance Programs	25
Treadmill: Changing Remote Control Access.....	25
EFX: Changing the Auto-Level Setting.....	26
Bike: Setting a Resistance Range	26
Informational Displays.....	27
User ID Entry with CSAFE Equipment.....	30

Maintenance	31
Daily Inspection	31
Daily Cleaning	31
EFX: Cleaning the Ramp	32
Storing the Chest Strap.....	32
Treadmill: Checking the Alignment of the Running Belt.....	33
Treadmill: Adjusting the Running Belt	34
Recumbent Bike: Realigning the Seat	35
Moving the Equipment	36
Long-Term Storage.....	36

Commercial Cardiovascular Equipment Limited Warranty	37
---	-----------

Treadmill Safety Features

Before allowing users on Precor equipment, review the *Important Safety Instructions* found at the beginning of this manual. You should also teach your patrons how to safely use the equipment following the guidelines in *Educating Users*.

Entering the Safety Code

When the equipment is shipped from the factory, the safety code protection feature is disabled. If you wish to enable the safety code, refer to *Club Features*. Inform users that the equipment requests a safety code to help prevent unauthorized use. When users select a program or press QUICKSTART at the PRECOR banner, the following prompt appears:

ENTER SAFETY CODE

Users have two minutes to press the following number key sequence and continue their workout: 1, 2, 3, 4.

Important: Tell users to hold onto the handrail with one hand before entering the safety code with the other hand.

If the correct keys are pressed, the program selection process begins. If the code is incorrect, the display prompts the user to reenter the code after a 2-minute time out.

Note: On the treadmill, a 3-second countdown appears on the display, and then the running belt starts moving. Refer to *Workout Options* in the *User's Reference Manual*.

Using the Safety Clip

Instruct users how important it is to use the safety clip while exercising on the treadmill. Instruct them on how to attach it to their clothing near their waistline. If any complications occur, a strong tug on the safety lanyard will stop the running belt.

If the safety switch trips while users are exercising, have them reattach the safety clip, press the SPEED up key or QUICKSTART and reenter the safety code, if necessary.

Note: The treadmill retains users' workout statistics if they resume their workout within the limit set for pause mode.

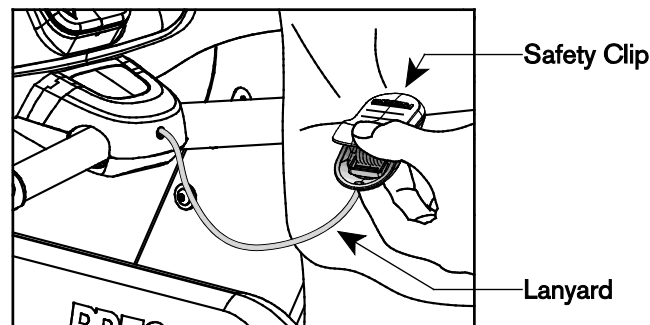


Figure 4: Attaching the safety clip

Turning the Treadmill On and Off

To turn the treadmill On and Off, use the power switch located beneath the hood, near the power cord receptacle.

Important: When it is not being used, turn the treadmill Off.

Weight Limit

You should not allow runners over 350 lb. (160 kg) or walkers heavier than 500 lb. (225 kg) on the treadmill.

Location

It is important to keep the area around the treadmill open and free from encumbrances such as other equipment. The minimum space requirement needed for user safety and proper maintenance is three feet wide by six feet deep (one meter wide by two meters deep), directly behind the running belt.

Self-Powered Features

On self-powered equipment, the battery initializes and displays the Precor banner when a user starts exercising. A minimum rate of motion must be maintained for the banner to appear, as shown in the following table. When a person meets the requirements, the power that is generated allows the equipment to function properly.

Table 1. Minimum requirements for operation

Equipment	Rate of Motion
EFX	40 strides per minute (SPM)
Cycle	20 revolutions per minute (RPM)

Informational displays appear when the battery is low or when the rate of motion drops below the minimum requirements. The display explains what to do to retain power. If the messages are ignored, the equipment begins shutdown procedures to maintain the charge of the battery. Refer to *Informational Displays Prior to Shutdown*.

An optional power adapter can be purchased and provides sustained power to the equipment. If you plan to change the program settings, the power adapter is highly recommended. To purchase the optional power adapter, check with your dealer.

Informational Displays Prior to Shutdown

The equipment saves its battery charge by moving into a shutdown mode. If the user does not maintain the minimum rate of motion, a 30-second shutdown process begins.

Dots appear in the display and all key presses are ignored. If no movement is detected or the rate of motion remains below the minimum, the dots steadily disappear as the countdown continues.

Note: The user can resume exercising if he or she begins before the countdown period elapses.

Important: *If the equipment is connected to a CSAFE master device, a slightly different scenario occurs. When ten seconds remain before the equipment shuts off, the exercise session ends. RESETTING appears in the display while the equipment disconnects from the CSAFE master device. All key presses are ignored.*

Symptoms of a Low Battery

If no one has used the equipment for an extended period of time, the battery may need recharging.

Symptoms of a low battery include:

- A flickering or erratic display
- User and workout information is lost once the user stops exercising. No workout summary or notification of pending shutdown occurs.

Important: *To maintain a constant power source, use the optional power adapter.*

Using the Optional Power Adapter

After connecting the power adapter to the equipment, plug the opposite end into the appropriate power source 120 V or 240 V.

CAUTION: When the optional power adapter is in use, make sure that the power supply cord does not create a safety hazard. Keep it out of the way of traffic and moving parts. If the power supply cord or power conversion module is damaged, it must be replaced.

The display functions differently when the power adapter is connected. Because the power adapter provides a constant source of power, a user can pause for brief periods without initiating shutdown procedures. When the pause time limit expires and the user has not resumed exercising, the display returns to the Precor banner. Refer to *Setting a Pause Time Limit*. To learn how to install the power adapter, refer to *The Optional Power Adapter Kit*.

The Optional Power Adapter Kit

If you purchase the optional power adapter, you must also purchase the internal cable kit. The kit supplies the cable, bracket, and fasteners that connect the power adapter to the lower electronics board.

CAUTION: The internal cable kit must be installed by authorized service personnel. Do not attempt installation on your own as you could void the Precor Limited Warranty. For more information, refer to *Obtaining Service*.

Once the internal cable kit is installed, you can plug the optional power adapter into the equipment. Plug the opposite end into the appropriate power source for your equipment 120 V or 240 V. Review the safety instructions found at the beginning of this manual before using the power adapter.

Replacing the Battery

The equipment's battery is built to last for a long time. However, if you feel that the battery may need replacing, check with an authorized service technician. Refer to *Obtaining Service*.

CAUTION: The battery stored inside the equipment contains hazardous materials and must be disposed of according to Hazardous Waste Regulations. Refer to *Hazardous Materials and Proper Disposal*.

Club Features

This section is designed to show you how to customize the equipment for your users and view useful product information. All these features remain hidden to the users and can only be accessed using special keypresses. These custom settings allow you to

- Enable or disable the safety code (treadmill)
- Change the display to a different language
- Change the display to show U.S. standard or metric measurements
- Set the maximum exercise and pause times
- Set a cool down time limit
- Set the maximum speed and incline (treadmill)
- Enable or disable hidden programs or remote access (treadmill)

- Change the auto-level setting (EFX)
- Set the resistance range (bike)
- View the odometer
- Display the number of hours the equipment has been in use
- View the software versions and part numbers
- Display the serial number
- Check the program usage and error logs

Note: To review the product programming prompts and factory default settings that can be changed through product programming mode, refer to the following table.

Table 2. Club custom features and settings for the treadmill and EFX

Equipment	Club Programming Prompt	Factory Default Setting	Changes you can make
Treadmill	SAFETY CODE	Disabled	An <i>enabled</i> safety code requires a 4-digit entry code before users can access any exercise programs.
All *	SELECT LANGUAGE	English	Several languages affect the display prompts. Choose one.
All *	SELECT UNITS	U.S.	Two standard units of measure affect the display prompts. Choose between U.S. or Metric.
All *	SET MAX WORKOUT TIME	60 minutes	Exercise session time limits range from 1 to 240 minutes. NO LIMIT is accessible beyond 240 minutes.
All *	SET MAX PAUSE TIME	120 seconds	Pause time limits range from 1 to 120 seconds (2 minutes). Restrictions exist for self-powered equipment.
All *	SET COOL DOWN TIME	5 minutes	Cool-down time limits range from 1 to 5 minutes.
Treadmill	SET SPEED LIMIT	Maximum speed available.	Refer to <i>Treadmill: Determining the Club Speed Limit</i> .
Treadmill	SET INCLINE LIMIT	Maximum grade possible.	Refer to <i>Treadmill: Setting an Incline Limit</i> .
Treadmill	HIDDEN PROGRAMS	Hide programs	Two options are available: Show Programs or Hide Programs. Choose one.
Treadmill	REMOTE SPEED CONTROL	Disabled	A computer must be connected through the CSAFE port to enable this feature and change the speed or incline for a specific user.
EFX	SET CROSSRAMP AUTO-LEVEL	Mid-level of ramp incline range	This prompt appears on equipment with adjustable ramps. Settings range from 1 to 20. Refer to EFX: Changing the Auto-Level Setting.
Cycle	SET RESISTANCE RANGE	High	Settings range from High, Medium, and Low. Refer to Bike: Setting a Resistance Range.

* This feature is available in all Precor club equipment.

Note: When you make changes in club programming mode, the new settings replace the factory defaults.

Club Programming Tips

- Always start at the Precor banner.
- Electrical power must be supplied. For self-powered equipment, a constant power source is available if you use the optional power adapter. Otherwise, users have to maintain the minimum rate of motion. If you plan to program self-powered equipment, purchasing the optional power adapter is highly recommended.

Note: If you do not use the optional power adapter during programming mode, and the rate of motion falls below the minimum requirements, no warning is given when the equipment moves into its 30-second shutdown procedure.

- The club programming mode is accessed by pressing the RESET key at the Precor banner. The remaining key presses must occur quickly and without pause.

Note: Treadmill keys that can be used interchangeably in club programming mode are: PAUSE/RESET and the red STOP button. On the EFX, the CLEAR and ENTER keys perform specific functions, but the number keypad is disabled once you enter club programming mode.

- Changes made in the programming mode become the default settings when the display resets to the Precor banner.

Changing the Product Settings

You must be in the Programming mode before you can change the settings.

To access the programming mode:

1. At the Precor banner, press the following keys in sequence without pausing between selections:

RESET, 5, 6, 5, 1, 5, 6, 5

Note: A PAUSE/RESET key appears on some products and functions the same as the RESET key.

The programming prompts appear sequentially and in a menu format.

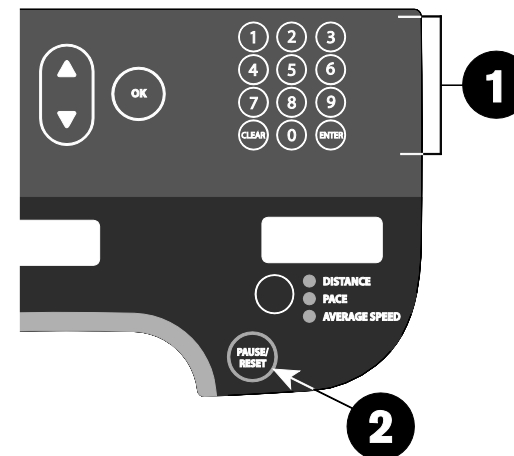


Figure 5: Keys used in programming mode

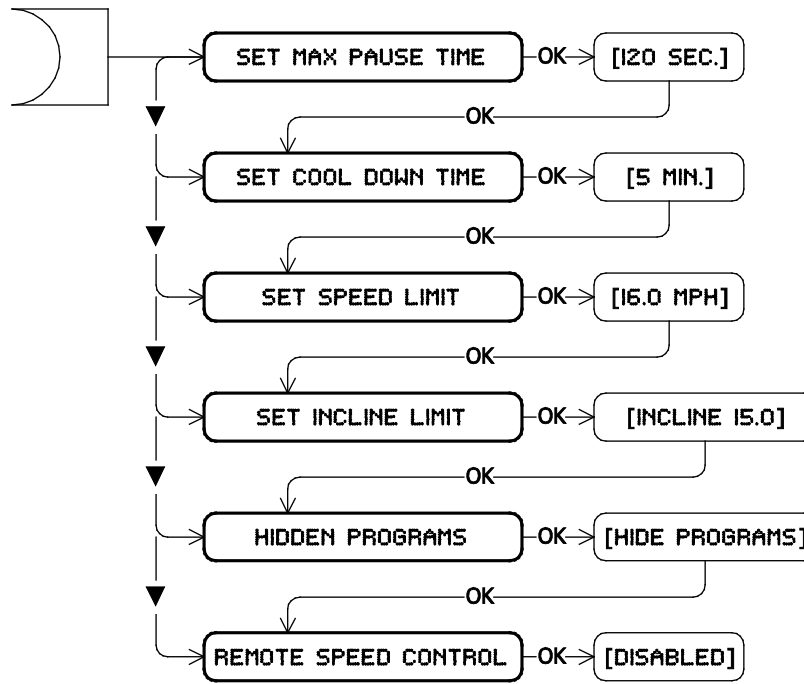
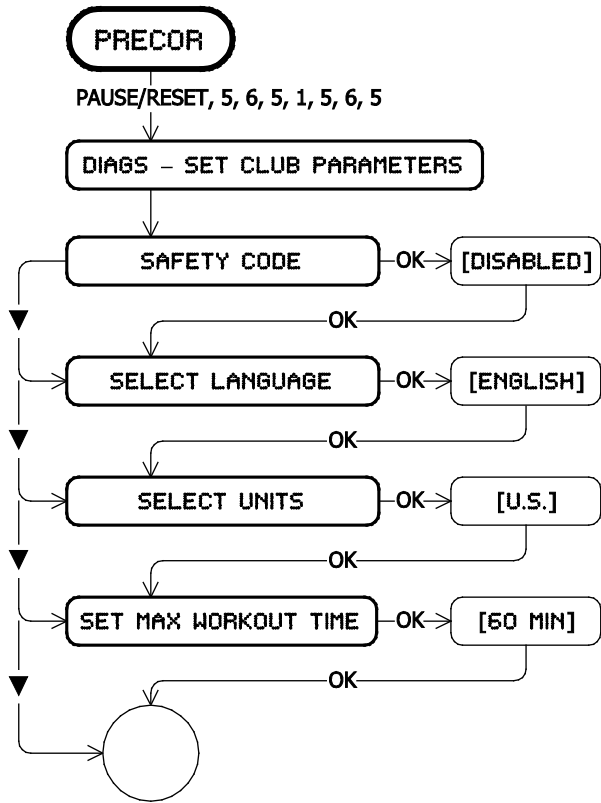
2. The following table describes how to use the keys to navigate the programming mode menus.

Table 3. Programming mode keys

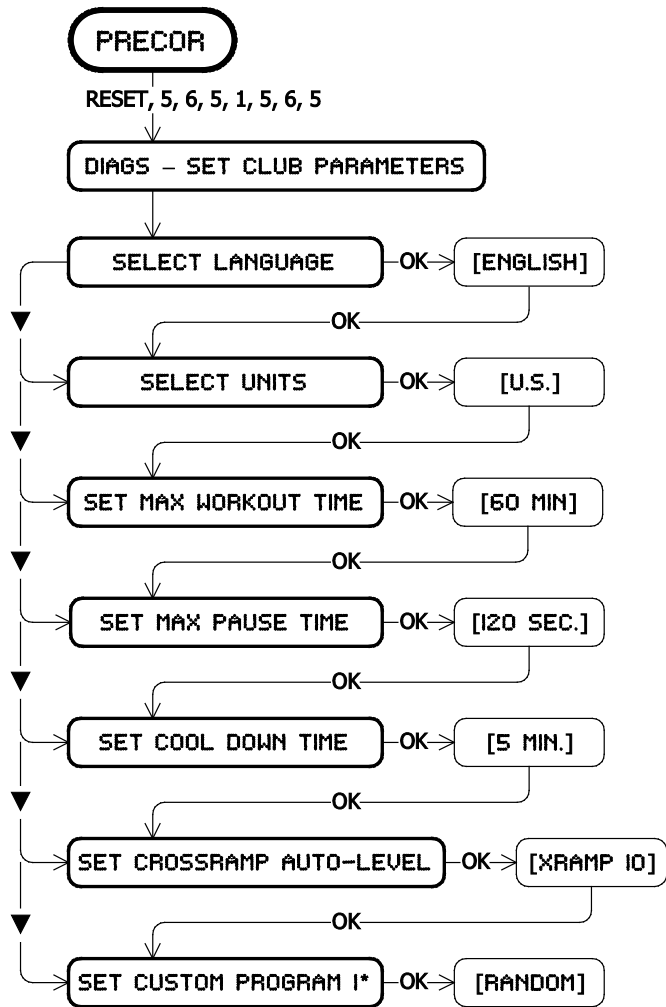
Key	Description
▲ or ▼	Navigational arrows: Move you through the menu and can also be used to increase or decrease time units.
OK	Press to choose or accept the displayed selection.
Number keypad CLEAR 1	Returns user to the previous menu level without saving changes.
PAUSE/RESET 2	Exits Programming mode and returns to the Precor banner.

Note: The number keypad is disabled once you enter programming mode.

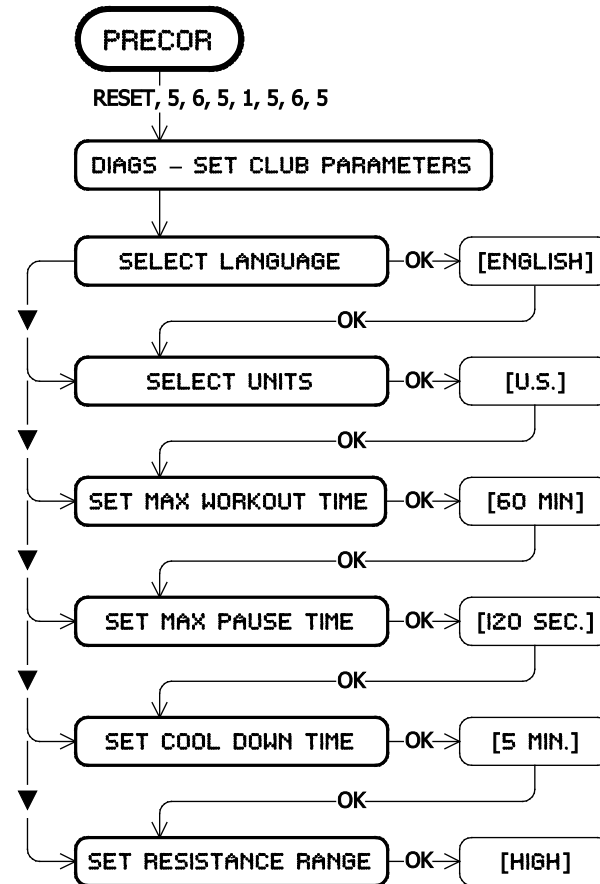
Use the following flowchart to navigate through the menu settings on treadmills.



Use the following flowchart to navigate through the menu settings on ellipticals.



Use the following flowchart to navigate through the menu settings on bikes.



Treadmill: Selecting Safety Code Protection

When the equipment is shipped from the factory, the safety code protection feature is disabled. If you enable the safety code, your patrons will need to enter four number keys in sequence to begin their exercise session and, on the treadmill, start the running belt. If the correct keys are not pressed within two minutes, further access is denied. For more information, refer to Entering the Safety Code.

1. At the SAFETY CODE prompt, press OK. Use the navigational arrow keys to alternate between the two selections.

Setting	Description
ENABLED	Causes the safety code prompt to appear prior to a workout and when returning from pause mode.
DISABLED	Does not require a safety code to operate.

CAUTION: Do not assume the equipment is safe because of safety code protection. Never leave children unsupervised around the equipment.

2. When you are ready, press OK to accept the displayed setting and move to the next feature. For further options, refer to the table in *Changing the Product Settings*.

Choosing a Language

The equipment can display user prompts, text, and user entries in several different languages. When the equipment is shipped from the factory, the default language is English.

Note: Programming prompts are not affected by language selection. The prompts in this section continue to appear in English.

To choose a language:

1. At the SELECT LANGUAGE prompt, press OK. Use the navigational arrow keys to choose a language.
2. Press OK again to accept the displayed setting and move to the next feature.

Selecting a U.S. Standard or Metric Display

The equipment can display measurements in either Metric or U.S. Standard. The default factory setting is U.S. Standard.

To change the display measurement:

1. At the `SELECT UNITS` prompt, press OK.

Use the navigational arrow keys to select a unit of measure (US or METRIC).

CAUTION: If you change the Unit of Measure display on a treadmill, be sure to check the speed setting to verify that it is correct.

2. Press OK to accept the displayed setting and move to the next feature.

Setting a Workout Session Time Limit

You can limit how long a user can exercise on the equipment. For example, if you set the time limit to 20 minutes, users can only enter a session time between 1 and 20 minutes.

Note: The automatic cool down period is appended to the end of any time-based program, so adjust the time limit accordingly.

To set a maximum workout time:

1. At the `SET MAX WORKOUT TIME` prompt, press OK. Use the navigational arrow keys to change the displayed time limit.

Note: When you press and hold a navigational arrow key, the number increments by five, for example, 1, 5, 10, 15, 20. When you tap an arrow key, the number increments by one.

2. When you have selected a maximum workout time, press OK to accept the displayed setting and move to the next feature.

You can also let a user exercise indefinitely by selecting `NO LIMIT`. If you choose the `NO LIMIT` setting, you will need to provide the following instructions to your users.

To exercise without a time limit:

1. Select a program. The workout time appears in the display.
2. On the number keypad, type **240**.
3. Press the UP arrow key to display `NO LIMIT`, and press OK.

The exercise session times available are between 1 and 240 minutes.

Setting a Pause Time Limit

You can limit how long a user can pause while exercising on the equipment by entering a time between 1 and 120 seconds (two minutes). For example, if you set a pause time limit of 60 seconds, the display automatically resets to the Precor banner if no movement is detected and no key press occurs for one minute.

Important: *The optional power adapter must be connected on self-powered equipment to establish a definitive pause time limit. If the optional power adapter is not attached and the rate of motion drops below the minimum requirements, the equipment begins its 30-second shutdown, effectively eliminating pause mode.*

To set a maximum pause time:

1. At the SET MAX PAUSE TIME prompt, press OK. Use the navigational arrow keys to select a time limit between 1 and 120 seconds (two minutes).
2. Press OK to accept the displayed setting and move to the next feature.

Setting a Cool Down Time Limit

Use this setting to select the maximum amount of time the machine will remain in the cool down mode. Cool down time is the period of time following the completion of a program when the user exercises at a reduced work rate.

To set a cool down time:

1. At the SET COOL DOWN TIME prompt, press OK.
2. Use the navigational arrow keys to display the available time limits and choose a time between 0 and 5 minutes.
Note: The default setting is 5 minutes.
3. Press OK to accept the displayed setting and move to the next feature.

Treadmill: Determining the Club Speed Limit

You can set a maximum speed for the treadmill. This limits how fast the running belt moves and, consequently, the number of speed settings that are available to the user. The speed is displayed in miles per hour (mph) or kilometers per hour (kph) depending upon the units of measure (U.S. standard or Metric) selected earlier. The speed ranges from 0.5 to 12 mph (0.8 to 20kph).

Important: *If you select a number that limits the miles per hour, your change will not affect the kilometers per hour (and vice versa). The treadmill does not convert the speed entered in mph (U.S. standard) to kph (Metric). It stores separate numbers for the different units of measure. To enter both values, you must first reset the display to the appropriate unit of measure, and then change the speed limit in this program. Refer to Selecting a U.S. Standard or Metric Display.*

1. At the SET SPEED LIMIT prompt, press OK. Use the navigational arrow keys to select the desired running belt speed limit.
2. When you are ready, press OK to accept the displayed setting and move to the next feature. For other options, refer to the table in *Changing the Product Settings*.

Treadmill: Setting an Incline Limit

You can set the maximum grade (percent of incline) for the treadmill. This limits the degree of incline and, consequently, the number of incline settings that are available to the user. The available range is 0% to 15% grade.

1. At the SET INCLINE LIMIT prompt, press OK. Use the navigational arrow keys to select the desired grade.
2. When you are ready, press OK to accept the displayed setting and move to the next program. For other options, refer to the table in *Changing the Product Settings*.

Treadmill: Accessing Performance Programs

The performance-based Gerkin Fitness Test on the treadmill can be hidden from the user's view and, consequently, be unavailable during an exercise session.

If you keep the default factory setting, the Track program appears when the PERFORMANCE key is pressed.

If you wish to change this setting, perform the following steps:

1. Press OK to review the current HIDDEN PROGRAMS selection. Use the navigational arrow keys to alternate between the two selections.

Setting	Description
SHOW PROGRAMS	Causes the Fitness Test to appear and replace the Track program when a user presses the PERFORMANCE key.
HIDE PROGRAMS	Hides the Fitness Test and makes it inaccessible to the user. The Track Program appears when a user presses the PERFORMANCE key.

2. When you are ready, press OK to accept the displayed setting and move to the next program. For other options, refer to the table in *Changing the Product Settings*.

Treadmill: Changing Remote Control Access

Important: To affect this setting, the treadmill must be connected to a computer and you will need to be familiar with CSAFE commands.

When you enable this program, you can set a user's speed and incline through a computer software program which interfaces with the CSAFE port on the treadmill.

The default factory setting is set to DISABLED. To change this setting, perform the following steps:

1. At the REMOTE SPEED CONTROL prompt, press OK. Use the navigational arrow keys to alternate between the two selections.

Setting	Description
ENABLED	Lets you set the speed and incline for individual users and their selected program using CSAFE commands through a computer connection.
DISABLED	Disconnects remote access so you cannot use the remote capabilities of a CSAFE connection. You would also use this setting when the treadmill is not connected to a computer.

2. When you are ready, press OK to accept the displayed setting and move to the next program. For other options, refer to the table in *Changing the Product Settings*.

EFX: Changing the Auto-Level Setting

You can set a specific ramp incline so that the EFX automatically returns to it at the end of a workout session. Whatever incline you set, the EFX ramp returns to the setting if a user continues pedaling, once the program session has ended, and presses RESET to return to the Precor banner.

Note: This setting is available on equipment with adjustable ramps.

Important: *If you use this feature, connecting the optional power adapter is recommended. Instruct users about the auto-leveling feature and ask that they hold onto a stationary handrail with one hand while the equipment automatically moves to the set incline.*

1. At the SET CROSSRAMP AUTO-LEVEL prompt, press OK.
2. XRAMP *n* appears, where *n* is the ramp incline setting. Some displays only show a number without prefacing it with XRAMP. Use the navigational arrow keys to select the desired ramp incline setting from 1 to 20.
3. When you are ready, press OK to accept the displayed setting and move to the next feature. For other options, refer to the table in *Changing the Product Settings*.

Bike: Setting a Resistance Range

The bike resistance levels are low, medium, and high. Within each setting, 25 levels of resistance are available, but the chosen setting affects the overall resistance range.

To set a resistance range:

1. At the SET RESISTANCE RANGE prompt, press OK and use the navigational arrow keys to choose LOW, MEDIUM or HIGH (LO, MED, or HI on some equipment).
2. Press OK to accept the displayed setting and move to the next feature.

The following table provides more information about each setting.

Table 4. Resistance settings on bikes

Setting	Description
HI or HIGH	<ul style="list-style-type: none">• Provides the full range of resistance available.• Provides enough resistance to simulate sprinting or hill climbing or for users who want to stand on the bike while pedaling.• Provides enough resistance for elite riders that are capable of spinning at high speed with high resistance.
MED or MEDIUM	<ul style="list-style-type: none">• Provides approximately two thirds of the resistance that is available within the high group setting.• Select the medium range for recumbent bikes.• A medium range allows users to make easier resistance changes in the preset programs.
LO or LOW	<ul style="list-style-type: none">• Provides approximately one third of the resistance that is available within the high group setting.• Appropriate in special situations where poorly conditioned users are anticipated.

Informational Displays

Use the information displays to locate information about equipment use (odometer and hour meter), software versions and part numbers, serial number, usage log, and error log. In general, you would only access this information if directed to do so by Precor Customer Support.

To navigate through the informational displays, use the following flowchart. A table located after the flowchart provides more information about each more display.

Note: The CLEAR key is located on the number keypad. If your product has a PAUSE/RESET key, use it in place of the RESET key called out in the flowchart.

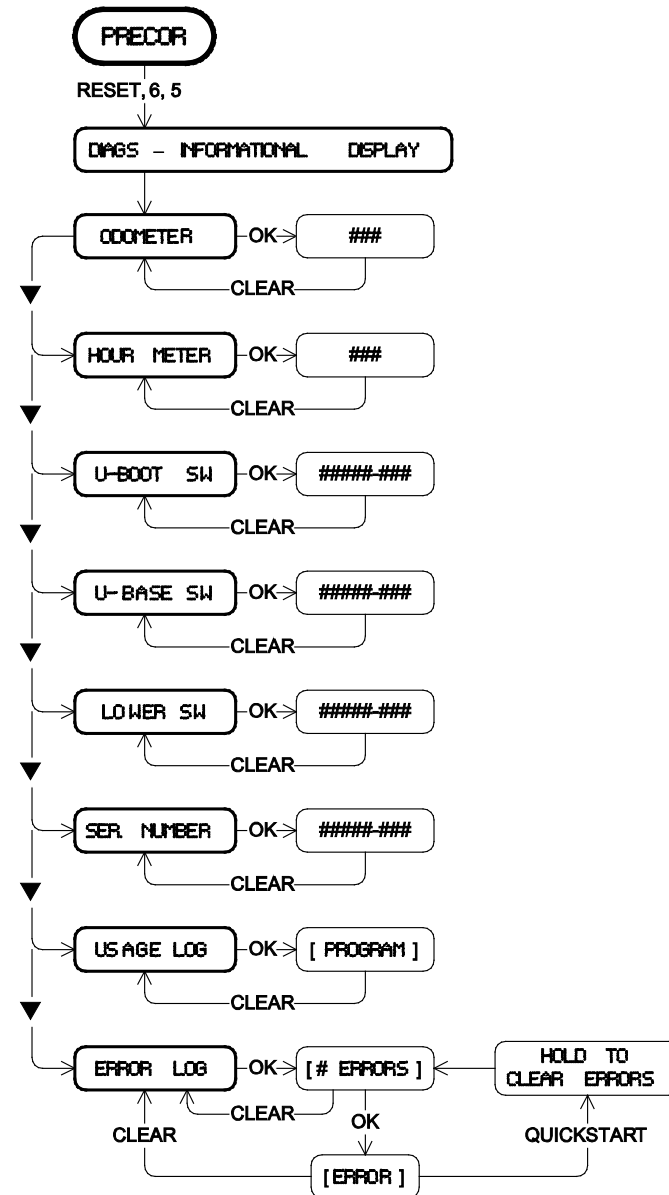


Table 5. Informational Displays for all products

Product	Display	Description
All	HOUR METER	<ul style="list-style-type: none"> The number of hours that the equipment has been in use. The equipment tracks the elapsed minutes, but the value that appears is truncated to the nearest full hour.
All	U - BOOT SW	Upper board application software part number and version. Note: Some displays show UPPER BOOT SW PART NUMBER.
All	U - BASE SW	Upper base application software version. Note: Some displays show UPPER BASE SW PART NUMBER.
All	LOWER SW	Lower application software version. Note: Some displays show LOWER BASE SW PART NUMBER.
All	SER. NUMBER	The serial number is helpful when you contact Customer Support. Note: Some displays show SERIAL NUMBER.
All	USAGE LOG	<ul style="list-style-type: none"> The number of times each program has been used and displays the associated cumulative minutes. Helpful in determining user preferences in program selection.
All	ERROR LOG	Displays any error codes that may have been detected by the software.
All	ODOMETER	<p>The odometer value correlates to the type of Precor product and the standard of units, U.S. or Metric, selected in the programs.</p> <ul style="list-style-type: none"> Treadmill shows the number of cumulative miles or kilometers logged to date. EFX or AMT shows the number of total strides logged to date. Cycle shows the number of total revolutions logged to date. Climber indicates the number of floors climbed.

Table 6. Informational Displays for specific equipment or special cases

Product	Display	Description
534i, 532i, AMT	METRICS BOARD SW PART NUMBER	Metrics board software part number and version.
AMT	STRIDE DIAL SW PART NUMBER	Stride dial software part number.

Viewing the Error Log

Quick access to the informational display is available if error messages appear on the display and have been recorded in the error log. This feature is usually reserved for service personnel.

To view the error log:

1. At the Precor banner, press and hold PAUSE/RESET for 4 seconds.
2. If `DIAGS - INFORMATION DISPLAY` or `ERROR LOG` appears, then press OK.

If any errors are logged, they appear on the display. If no errors are logged, a message such as `STOP KEY` or `STUCK KEY` appears instead.

3. Release the PAUSE/RESET key to return to the Precor banner.

Note: On treadmills, the red STOP button can be used instead of the PAUSE/RESET key.

Erasing the Error Log

When you no longer need the error log information, you can erase the entries.

To erase the error log entries:

1. Press QUICKSTART while any error description is scrolling across the display.
2. Continue to maintain light pressure on the key until the message `HOLD TO CLEAR ERRORS` scrolls off the display.
3. When you release Quickstart, the message `NO ERRORS` will appear in the display if the error log has been deleted.
***Important:** You cannot retrieve the error log once you have deleted it. You may want to resolve any issues you are experiencing with the equipment before erasing the error log.*
4. Press RESET to return to the Precor banner.

User ID Entry with CSAFE Equipment

The equipment is fully compatible with CSAFE protocols. When the equipment is connected to a CSAFE master device, the user is prompted to press ENTER and begin an identification process.

The user ID is displayed as five zeros and indicates the starting point. The following table describes key functions while in CSAFE mode.

Table 7. CSAFE access keys

Keypad	Description
Number keypad	Use the number keys to enter a user ID. The number that is pressed appears on the right. As the user continues, the numbers fill in the display from right to left. When all five numbers are in place, the user must press ENTER or OK to submit the user ID.
CLEAR or BACK	Erases individual numbers in the user ID from right to left.
ENTER or OK	Submits the user ID. Note: User ID entry is bypassed when the user enters five zeros. No workout statistics are recorded.
RESET or PAUSE/RESET	Resets the display to the banner.

A message appears on the display and indicates when the user ID is accepted by the CSAFE master device. Once program selection is complete, the user can begin exercising.

To review information about CSAFE specifications, visit the web site at: www.fitlinxx.com/csafa

If you have questions or need technical support, refer to *Obtaining Service*.

Maintenance

It is important to perform the minor maintenance tasks described below. Failure to maintain the equipment as described in this section could void the Precor Limited Warranty.

DANGER To reduce the risk of electrical shock, always unplug the equipment from its power source (an optional power adapter in the case of self-powered equipment) before cleaning it or performing any maintenance tasks.

Daily Inspection

Look and listen for slipping belts, loose fasteners, unusual noises, worn or frayed power cords, and any other indications that the equipment may be in need of service. If you notice any of these, obtain service.

On treadmills, check for worn, frayed or missing safety lanyards. Replace missing or worn safety lanyards immediately. Make sure users attach the safety clip to their clothing before exercising on the treadmill.

Important: *If you determine that the equipment needs service, disconnect any power connections and move the equipment away from the exercising area. Place an OUT OF SERVICE sign on it and make sure all patrons and users know that they must not use the equipment.*

Daily Cleaning

Precor recommends the equipment be cleaned before and after each exercise session. Use mild soap and water to dampen a clean, soft cloth and wipe all exposed surfaces. This helps remove dust and dirt.

CAUTION: Do not use any acidic cleaners. Doing so will weaken the paint or powder coatings and void the Precor Limited Warranty. Never pour water or spray liquids on any part of the equipment. Allow the equipment to dry completely before using.

Frequently vacuum the floor underneath the equipment to prevent the accumulation of dust and dirt, which can affect the smooth operation of the equipment. Use a soft nylon scrub brush to clean the running belt on treadmills or the grooves on equipment with foot pedals.

CAUTION: On treadmills, as you clean the hood or side rails, be aware of the handrail extensions so you do not inadvertently hit your head or injure yourself.

EFX: Cleaning the Ramp

Whenever the ramp becomes soiled, clean the exposed surfaces of the ramp and roller wheels by taking the following steps.

Note: If your equipment has a ramp cover, remove it before performing the following steps. Refer to the *EFX Assembly Guide*.

1. Moisten a clean, soft cloth in a mild solution of soap and water.
2. Position one foot pedal at the top of the ramp (the other will automatically be positioned at the bottom).
3. Clean the exposed portions of the ramp.
4. Gently lift the roller wheels. Rotate each wheel while wiping it with the clean, soft cloth.
5. Switch the foot pedal position and finish cleaning the ramp.

Storing the Chest Strap

If you purchased the optional heart rate chest strap, store it in a place where it remains free of dust and dirt (for example, in a closet or drawer). Be sure to protect the chest strap from extremes in temperature. Do not store it in a place that may be exposed to temperatures below 32° F (0° C).

To clean the chest strap, use a sponge or soft cloth dampened in mild soap and water. Dry the surface thoroughly with a clean towel.

WARNING Signals used by the Chest Strap Transmitter (or heart rate strap) may interfere with pacemakers or other implanted devices. Consult your physician and the manufacturers of your Chest Strap Transmitter and implanted device before using a Chest Strap Transmitter.

Note: To receive an accurate reading, the strap needs to be in direct contact with the skin on the lower sternum (just below the bust line for women).

Treadmill: Checking the Alignment of the Running Belt

Proper belt alignment allows the belt to remain centered and ensures smooth operation. Realigning the belt takes a few simple adjustments. If you are unsure about this procedure, call Precor Customer Support. Refer to *Obtaining Service*.

CAUTION: Special care must be taken when aligning the running belt. Turn Off the treadmill while adjusting or working near the rear roller. Remove any loose clothing and tie back your hair. Be very careful to keep your fingers and any other object clear of the belt and rollers, especially in front of the roller and behind the deck. The treadmill will not stop immediately if an object becomes caught in the belt or rollers.

1. Make sure that the running surface is level. To operate correctly, the treadmill needs to be as level as possible. If needed, the rear feet can be adjusted to level the treadmill (refer to the *Assembly Guide*).
2. Turn the equipment On.
3. Stand beside the treadmill and press QUICKSTART.
4. If needed, enter the safety code by pressing the number keys in sequence: 1, 2, 3, 4.

The running belt starts automatically after a 3-second countdown appears on the display.

5. Press the SPEED up key until the display shows a speed of 3 mph (5 kph).

CAUTION: If you hear any chafing or the running belt appears to be getting damaged, stop the running belt immediately by pressing the red STOP button. Contact Precor Customer Support.

6. Walk around to the rear of the equipment and observe the belt for a few minutes. The belt should run centered along the running bed. If the belt drifts off center, you must make adjustments. Refer to *Treadmill: Adjusting the Running Belt*.

Important: *Failure to align the belt may cause the belt to tear or fray, which is not covered by the Precor Limited Warranty.*

7. To stop the running belt, press the red STOP button.
8. Turn the treadmill Off.

Treadmill: Adjusting the Running Belt

If you are unsure about adjusting the running belt, call Precor Customer Support (refer to *Obtaining Service*).

CAUTION: For your safety, use the power switch to turn Off the treadmill before making any adjustments. Do not adjust the running belt when someone is standing on the equipment.

1. Locate the right belt adjustment bolt in the rear end cap of the treadmill as shown in the following figure.

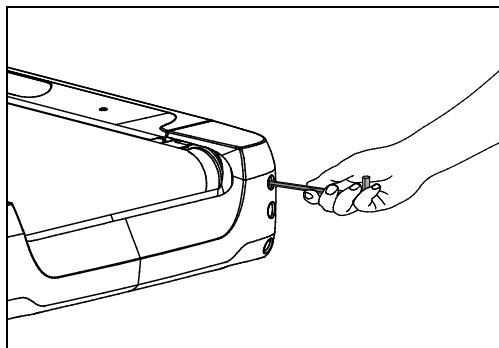


Figure 6: Location of the adjustment bolt

To determine left and right, stand at the rear of the treadmill and face the display. Make all belt adjustments on the right rear corner bolt using the hex key provided.

- If the belt is off center to the LEFT, turn the adjusting bolt $\frac{1}{4}$ turn *counterclockwise*, which moves the running belt to the right.
- If the belt tracks off center to the RIGHT, turn the bolt $\frac{1}{4}$ turn *clockwise*; this moves the belt to the left.

Important: Do not turn the adjusting bolt more than $\frac{1}{4}$ turn at a time. Overtightening the bolt can damage the treadmill.

2. Recheck the alignment of the running belt by repeating the steps found in *Treadmill: Checking the Alignment of the Running Belt*.

Recumbent Bike: Realigning the Seat

If the seat rocks side-to-side, you need to realign the center wheel underneath the seat. Adjustment screws are located on the left side of the seat rail.

To remove seat wobble (side-to-side movement), take the following steps.

1. Obtain a $\frac{3}{16}$ -inch and $\frac{5}{16}$ -inch hex key.
2. Use the $\frac{3}{16}$ -inch hex key to loosen the two adjustment screws as shown in the following figure.

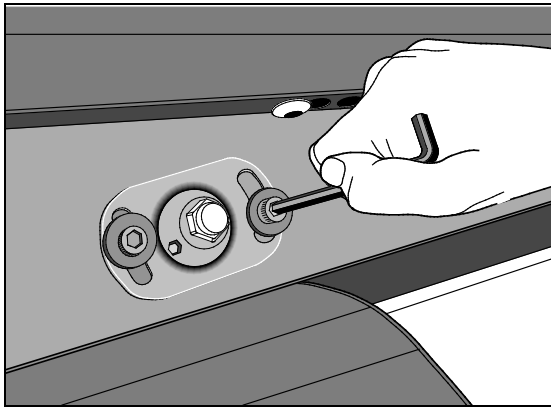


Figure 7: Loosening the two adjustment screws

3. Use the $\frac{5}{16}$ -inch hex key to turn the wheel lock adjustment key clockwise $\frac{1}{4}$ turn as shown in the following figure. This process realigns the center wheel inside the top rail. Leave the $\frac{5}{16}$ -inch hex key in place while you tighten the adjustment screws with the $\frac{3}{16}$ -inch hex key.

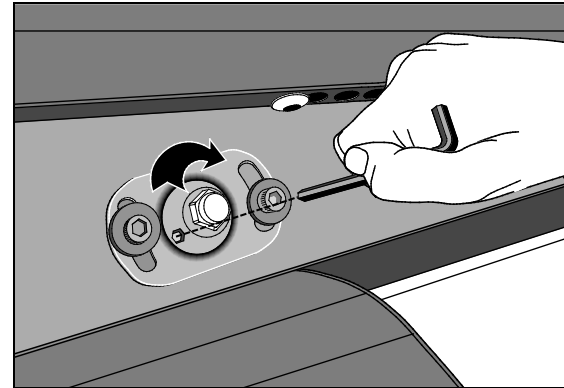


Figure 8: Realigning the center wheel

4. Remove the hex keys and check that the seat no longer rocks side-to-side. If the rocking movement continues, you need to repeat steps 2 and 3.

Moving the Equipment

It is important, if you plan to move the equipment, that you obtain adult help and use proper lifting techniques. The equipment is very heavy. Take advantage of the roller wheels on the equipment when moving it to a new location.

Important: *The plastic end cap, on the treadmill, is specifically designed for lifting. To avoid injury to yourself or damage to the equipment, ask for help in placing the treadmill where you plan to use it. Place a hand under each end of the end cap and, using proper lifting techniques, lift the rear of the treadmill so that it rolls on its front wheels.*

Long-Term Storage

When the equipment is not in use for any length of time, make sure it is turned Off (treadmill only) and the power cord or optional power adapter (self-powered equipment) is unplugged from its power source and is positioned so that it will not become damaged or interfere with people or other equipment.

Commercial Cardiovascular Equipment Limited Warranty

PLEASE READ THESE WARRANTY TERMS AND CONDITIONS CAREFULLY BEFORE USING YOUR PRECOR INCORPORATED PRODUCT. BY USING THE EQUIPMENT, YOU ARE CONSENTING TO BE BOUND BY THE FOLLOWING WARRANTY TERMS AND CONDITIONS.

Limited Warranty.

Precor Incorporated warrants all new Precor products to be free from defects in materials and manufacture for the warranty periods set forth below. The warranty periods commence on the invoice date of the original purchase. This warranty applies only against defects discovered within the warranty period and extends only to the original purchaser of the product. Parts repaired or replaced under the terms of this warranty will be warranted for the remainder of the original warranty period only. To claim under this warranty, the buyer must notify Precor or your authorized Precor dealer within 30 days after the date of discovery of any nonconformity and make the affected product available for inspection by Precor or its service representative. Precor's obligations under this warranty are limited as set forth below.

Warranty Periods and Coverage.

All Commercial Cardiovascular Products (excluding StretchTrainer, Strength Products, and coverage specific to certain models and options as defined below):

- Frame: 7 years
- Treadmill drive motor: 5 years
- Items subject to wear: 1 year
- All other parts (including mechanical parts and electronic parts): 2 years
- Labor: 1 year

880 Line Commercial Cardiovascular Products (superseding the coverage above where applicable):

- Labor on the P80 console: 2 years
- High wear items on the P80 console, including headphone jack, USB connector, and iPod® connector: 90 days

Options / Accessories

Many options or accessories have components that are connected internally or mounted inside the electronic console. The following guidelines determine the warranty for these components. If the internal components are installed by the factory or by an authorized dealer as part of the original sale and delivery, they have a warranty that is identical to the warranty of the equipment in which they are connected or mounted. If the internal components are not installed by the factory or by an authorized dealer as part of the original sale and delivery, they have a 90 days parts and labor limited warranty. All components that are not internally connected have a 90 days parts only limited warranty. Satisfactory proof of purchase is required in all cases.

Conditions and Restrictions.

This warranty is valid only in accordance with the conditions set forth below:

1. The warranty applies to the Precor product only while
 - a. it remains in the possession of the original purchaser and proof of purchase is demonstrated.
 - b. it has not been subjected to accident, misuse, abuse, improper service, or non-Precor modification.
 - c. claims are made within the warranty period.
2. This warranty does not cover damage or equipment failure caused by electrical wiring not in compliance with electrical codes or Precor owner's manual specifications, or failure to provide reasonable and necessary maintenance as outlined in the owner's manual.
3. Precor is not responsible for Internet connectivity to its products. This restriction applies to services, such as those provided by an Internet service provider (ISP), and also to hardware related to Internet connectivity, such as Ethernet cabling, routers, servers and switches.

4. Precor is not responsible for the quality of television, video, audio, or other media supplied to its products. This restriction applies to services, such as those provided by a cable or satellite television provider; to signal strength and clarity; and also to hardware related to the reception and delivery of television, video, audio, and other media. Such hardware can include (but is not limited to) audio, video, and radio-frequency (RF) cabling, connectors, receivers, modulators, combiners, distribution amplifiers, splitters, and so on.
5. Precor cannot guarantee that the heart rate measurement system on its products will work for all users. Heart rate measurement accuracy varies based on a number of factors, including the user's physiology and age, the method in which the heart rate measurement system is used, external interference, and other factors that may influence heart rate acquisition.
6. Except in Canada, Precor does not pay labor outside the United States.
7. Warranties outside the United States and Canada may vary. Please contact your local Dealer for details.

This Limited Warranty shall not apply to:

1. Software version upgrades.
2. Software defects that do not materially and negatively affect the normal performance of the product under normal conditions of use.
3. Consumable goods or cosmetic items of the product, the exterior of which has been damaged or defaced as a result of abuse, misuse, accident, improper service or installation, mishandling, or modification in design or construction not authorized by Precor.
4. Repairs performed on Precor equipment missing a serial number or with a serial tag that has been altered or defaced.
5. Service calls to correct installation of the equipment or instruct owners on how to use the equipment.
6. Pickup and delivery involved with repairs.
7. Any labor costs incurred beyond the applicable labor warranty period.

Disclaimer and Release.

The warranties provided herein are the exclusive warranties given by Precor and supersede any prior, contrary or additional representations, whether oral or written. ANY IMPLIED WARRANTIES, INCLUDING THE WARRANTY OF MERCHANTABILITY OR FITNESS FOR A PARTICULAR PURPOSE THAT APPLY TO ANY PARTS DESCRIBED ABOVE ARE LIMITED IN DURATION TO THE PERIODS OF EXPRESS WARRANTIES GIVEN ABOVE FOR THOSE SAME PARTS. PRECOR HEREBY DISCLAIMS AND EXCLUDES THOSE WARRANTIES THEREAFTER. Some States do not allow limitations on how long an implied warranty lasts, so the above limitation may not apply to you. PRECOR ALSO HEREBY DISCLAIMS AND EXCLUDES ALL OTHER OBLIGATIONS OR LIABILITIES, EXPRESS OR IMPLIED, ARISING BY LAW OR OTHERWISE, WITH RESPECT TO ANY NONCONFORMANCE OR DEFECT IN ANY PRODUCT, INCLUDING BUT NOT LIMITED TO: (A) ANY OBLIGATION, LIABILITY, RIGHT, CLAIM OR REMEDY IN TORT, WHETHER OR NOT ARISING FROM THE NEGLIGENCE OF PRECOR OR ITS SUPPLIERS (WHETHER ACTIVE, PASSIVE OR IMPUTED); AND (B) ANY OBLIGATION, LIABILITY, RIGHT, CLAIM OR REMEDY FOR LOSS OF OR DAMAGE TO ANY EQUIPMENT. This disclaimer and release shall apply even if the express warranty set forth above fails of its essential purpose.

Exclusive Remedies.

For any product described above that fails to conform to its warranty, Precor will provide, at their option, one of the following: (1) repair; (2) replacement; or (3) refund of the purchase price. Precor Limited Warranty service may be obtained by contacting the authorized dealer from whom you purchased the item. Precor compensates Servicicers for warranty trips within their normal service area to repair commercial equipment at the customer's location. You may be charged a trip charge outside the service area. THESE SHALL BE THE SOLE AND EXCLUSIVE REMEDIES OF THE BUYER FOR ANY BREACH OF WARRANTY.

EXCLUSION OF CONSEQUENTIAL AND INCIDENTAL DAMAGES.

PRECOR AND/OR ITS SUPPLIERS SHALL HAVE NO OBLIGATION OR LIABILITY, WHETHER ARISING IN CONTRACT (INCLUDING WARRANTY), TORT (INCLUDING ACTIVE, PASSIVE, OR IMPUTED NEGLIGENCE AND STRICT LIABILITY), OR OTHERWISE, FOR DAMAGE TO THE EQUIPMENT, PROPERTY DAMAGE, LOSS OF USE, REVENUE OR PROFIT, COST OF CAPITAL, COST OF SUBSTITUTE EQUIPMENT, ADDITIONAL COSTS INCURRED BY BUYER (BY WAY OF CORRECTION OR OTHERWISE) OR ANY OTHER INCIDENTAL, SPECIAL, INDIRECT, OR CONSEQUENTIAL DAMAGES, WHETHER RESULTING FROM NONDELIVERY OR FROM THE USE, MISUSE OR INABILITY TO USE THE PRODUCT. This exclusion applies even if the above warranty fails of its essential purposes and regardless of whether such damages are sought for breach of warranty, breach of contract, negligence, or strict liability in tort or under any other legal theory. Some states do not allow the exclusion or limitation of incidental or consequential damages, so the above limitation may not apply to you.

This warranty gives you specific legal rights, and you may also have other rights, which vary from state to state.

Complete this portion and keep for your records.

Purchased From: _____
Example: Dealer or store name.

Phone Number: _____
Example: Dealer or store telephone number.

Product/model: _____
Example: AMT 885 or EFX 883.

Serial number: _____
The serial number is found on the shipping container.

Effective 1 November 2010
P/N 36286-114

Notes:

Notes:

Notes:

Thank You and Welcome to Precor



We are confident that you will be pleased with your purchase and that your new Precor equipment will help satisfy your customers' fitness needs, while helping you meet your business goals.

To allow us to serve you better, please take a few moments to complete and return your warranty registration.

YOU MAY ALSO REGISTER ONLINE AT

www.precor.com/warranty

If you have questions or need additional information, contact your local dealer or call Precor Commercial Products Customer Support at 888-665-4404.

Fold along dotted line and tape closed before mailing.

COMM.

Woodinville, WA 98072-4002

PO Box 7202

20031 142nd Avenue NE

Precor Incorporated



PLACE
STAMP
HERE

TELL US ABOUT YOUR NEW PRECOR PRODUCTS

Date of Purchase:

Month Day Year

Purchased from (Dealer name):

Product Serial Number(s):

Please indicate the type and number of products purchased:

#: _____ Elliptical Fitness CrossTrainer (EFX®)
 #: _____ Treadmill
 #: _____ Stair Climber
 #: _____ Cycle
 #: _____ Strength Station
 #: _____ StretchTrainer™

The serial number is located on the shipping box and on the product.

Add additional sheets of paper or register online at www.precor.com/warranty

TELL US ABOUT YOUR FACILITY

Name of Facility

- Mr.
 Mrs.
 Ms.

Contact Person — First Name

Last Name

Facility Address

Apt./Suite

City

State

Zip Code

Area Code Facility Telephone Number

Your Business Email Address

How many members do you have?

- Less than 100 100 – 500 500 – 1000 1000 – 2000 2001 +

What percentage of floor space do you allocate for cardio equipment?

- 0% to 20% 20% to 40% 40% to 60% 60% to 80% 80% to 100%

What type of equipment makes up your cardio offering (check all that apply)?

- Treadmills Ellipticals Cycles Stair Climbers Rowing Machines Other _____

What other brands of cardio equipment do you currently offer (check all that apply):

- Life Fitness True Cybex StarTrac Other _____

What other Precor equipment do you currently offer (check all that apply):

- EFX Cycle StretchTrainer™
 Treadmill Stair Climber Strength Machine Other _____

TELL US ABOUT YOUR PURCHASE

Which best describes this purchase (check all that apply):

- First Precor product Replaces a Precor product of the same type
 Replaces same type of product – different brand Enhancement to equipment already owned

How did you FIRST become aware of this product (choose only one):

- Authorized Precor dealer Precor sales representative Trade show/conference
 Internet News report or product review Club/fitness magazine advertisement
 Trade/consumer magazine article Other _____

What factors MOST influenced your decision to purchase this product (choose up to three):

- Precor reputation Prior product experience Design/appearance Value for the price
 Special product features Warranty Service Rebate or sale price

Please detach and mail in the warranty registration within ten days of purchase.



Precor Incorporated
20031 142nd Ave NE
P.O. Box 7202
Woodinville, WA USA 98072-4002
1-800-347-4404

Precor, C, CrossRamp, EFX, M, Move Beyond, and SmartRate are registered trademarks of Precor Incorporated. Crosstrainer, QuickStart, and StretchTrainer are trademarks of Precor Incorporated.
Copyright 2011 Precor Incorporated.
Specifications subject to change without notice.
www.precor.com

NOTICE:

Precor is widely recognized for its innovative, award winning designs of exercise equipment. Precor aggressively seeks U.S. and foreign patents for both the mechanical construction and the visual aspects of its product design. Any party contemplating the use of Precor's product designs is hereby forewarned that Precor considers the unauthorized appropriation of its proprietary rights to be a very serious matter. Precor will vigorously pursue all unauthorized appropriation of its proprietary rights.



POM C-V 49336-301 rev C, en
Warranty # 36286-114, en
Registration Card# 45622-101, en
30 December 2011