









# MATRIX

## AUSTRALIA

Johnson Health Tech Australia  
6B Hazelwood Drive  
Morwell  
VIC 3840 AUSTRALIA  
Tel: +61 1300 760 601  
[www.matrixfitness.com](http://www.matrixfitness.com)

## BRAZIL

Johnson Health Tech Brasil  
Estrada Municipal, 200 – mód 14 e 15 – gleba 3  
Chácara Alvorada  
Indaiatuba, SP  
CEP 13337-200 BRASIL  
Tel: +55-19-2107-5300  
[br.matrixfitness.com](http://br.matrixfitness.com)

## CANADA

Johnson Health Tech Canada  
10401, Ray-Lawson Blvd.  
Montreal, Quebec H1J 1M3  
CANADA  
Tel: 514-336-0006  
[www.matrixfitness.com](http://www.matrixfitness.com)

## CHINA

Johnson Health Tech (Shanghai) Co., Ltd.  
Rm 508-512  
HuaWen Plaza 999 Zhongshan  
(West) Road  
Changning District  
Shanghai, 200050 CHINA  
Tel: +86-021-32503800  
[www.johnsonfitness.com.cn](http://www.johnsonfitness.com.cn)

## FRANCE

Johnson Health Tech France  
45, avenue Georges Politzer  
Trappes  
78190 FRANCE  
Tel: +33 01 30 68 62 80  
[www.matrixfitness.fr](http://www.matrixfitness.fr)

## GERMANY / AUSTRIA

Johnson Health Tech. GmbH  
Nikolaus-Otto-Str. 1  
D-22946 Trittau GERMANY  
Tel. +49 (0)4154-7952-0  
[www.matrixfitness.eu](http://www.matrixfitness.eu)

## GREECE

Johnson Health Tech Hellas SA  
12 Vas. Konstantinou Avenue  
116 35 Athens GREECE  
Tel: +20 211 4112797  
[www.Johnson Health Tech.gr](http://www.Johnson Health Tech.gr)

## HONG KONG

Johnson Health Tech (HK) Limited  
Room 1501-1502, Aitken Vanson Centre,  
61 Hoi Yuen Road, Kwun Tong  
Kowloon  
HONG KONG  
Tel: +852-2302 0596  
[hk.matrixfitness.com](http://hk.matrixfitness.com)

## IBERIAN PENINSULA (SPAIN, PORTUGAL)

Johnson Health Tech Ibérica  
Avenida de la Astronomía, 4 nave 9.2  
San Fernando de Henares  
28830 Madrid - ESPAÑA  
Tel: +34-91 6293 688  
[www.matrixfitness.es](http://www.matrixfitness.es)

## ITALY

Johnson Health Tech Italia Spa  
Zona Ind.le Campolungo 11  
63100 Ascoli Piceno (AP)  
ITALY  
Tel: +39 0736 22699  
[www.matrixfitness.it](http://www.matrixfitness.it)

## JAPAN

Johnson Health Tech Japan  
Yasuda Bldg. 2F,  
3-3-8 Kaigan,  
Minato-ku Tokyo 108-8435  
JAPAN  
Tel: +81-3-5419-3560  
[www.matrixfitness.jp](http://www.matrixfitness.jp)

## KOREA

Johnson Health Tech Co., Ltd. Korea Branch  
203 ho, A-Block Richensia Young  
San133-3 Wonhyoro 1-ga, Young San  
Gu, 140-111 Seoul  
SOUTH KOREA  
Tel: +82-2-6731-0175  
[kr.matrixfitness.com](http://kr.matrixfitness.com)

## MALAYSIA

Johnson Fitness (Malaysia) Sdn. Bhd.  
Lot 557D, Jalan Subang 3  
Subang Jaya Industrial Estate  
47610 Subang Jaya  
Selangor MALAYSIA  
Tel: +60-603-5632 8273  
[my.matrixfitness.com](http://my.matrixfitness.com)

## NETHERLANDS (BELGIUM, DENMARK, LUXEMBOURG)

Matrix Fitness / Johnson Health Tech. Netherlands  
Vleugelboot 14  
3991 CL Houten  
NETHERLANDS  
Tel: +31 30 24 45 435  
[www.matrixfitness.nl](http://www.matrixfitness.nl)

## PHILIPPINES

Johnson Health Tech. Commercial Philippines Inc.  
15th Floor, Citibank Center, 8741 Paseo de Roxas,  
Makati City, Metro Manila, 1226 PHILIPPINES  
Tel: +63-2-558-6590  
[world.matrixfitness.com](http://world.matrixfitness.com)

## POLAND

Johnson Health Tech Poland  
ul. Działkowa 62  
02-234 Warszawa POLAND  
Tel: +49 2234 9997-100  
[pl.matrixfitness.com](http://pl.matrixfitness.com)

## SWITZERLAND

Johnson Health Tech. (Schweiz) GmbH  
Althardstrasse 185  
CH-8105 Regensdorf SWITZERLAND  
Tel. +41 (0)44-843 30 30  
[www.matrixfitness.ch](http://www.matrixfitness.ch)

## TAIWAN

Johnson Health Tech Taiwan  
999, Sec 2, Dongda Rd., Daya Dist.,  
Taichung City 428  
TAIWAN (R.O.C)  
Tel: +886-4-25667100  
[world.matrixfitness.com/zh](http://world.matrixfitness.com/zh)

## THAILAND

Johnson Health Tech Thailand  
9th Floor, Unit 9B, Bangna Towers,  
Tower A 2/3  
Moo 14, Bangna-Trad Rd.  
K.M. 6.5 Bangkaew, Pangplee  
Samutprakan, 10540 THAILAND  
Tel: +66-2751-9360  
[th.matrixfitness.com](http://th.matrixfitness.com)

## UNITED ARAB EMIRATES

Johnson Health Tech. UAE  
ICON Tower, Office #602  
TECOM, Al Barsha  
Dubai, United Arab Emirates  
Tel: +971 4 4567939  
[world.matrixfitness.com/](http://world.matrixfitness.com/)

## UNITED KINGDOM

(ENGLAND, SCOTLAND, N. IRELAND, WALES)  
Johnson Health Tech UK  
Riverside park  
Campbell Road  
Stoke on Trent  
ST4 4EY ENGLAND  
Tel: +44-1782644900  
[www.matrixfitness.co.uk](http://www.matrixfitness.co.uk)

## UNITED STATES

Matrix Fitness / Johnson Health Tech NA  
1600 Landmark Drive  
Cottage Grove, WI 53527 USA  
Toll Free: +1-866-693-4863  
[www.matrixfitness.com](http://www.matrixfitness.com)

## VIETNAM

Johnson Health Tech (Vietnam) Co. Ltd.  
Unit 2302, Lim Tower  
9-11 Ton Duc Thang Street  
Ben Nghe Ward, District 1  
Ho Chi Minh City  
VIETNAM  
Tel: +84 909 977957  
[vn.matrixfitness.com](http://vn.matrixfitness.com)

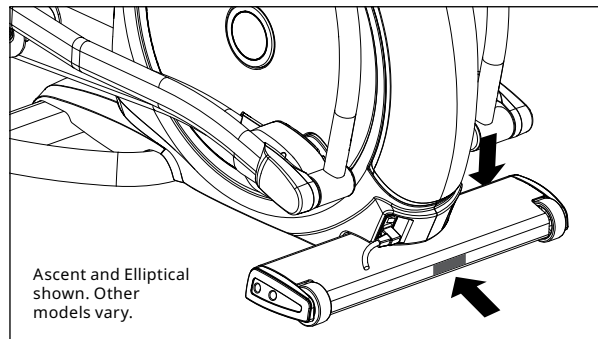
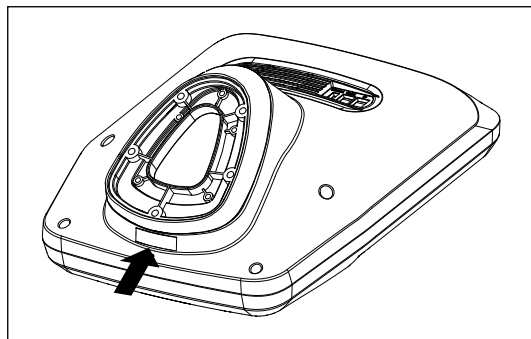
## INTERNATIONAL (OTHER COUNTRIES)

Matrix Fitness International  
999, Sec 2, Dongda Rd., Daya Dist.,  
Taichung City 428  
TAIWAN (R.O.C)  
Tel: +886-4-25667100  
[world.matrixfitness.com](http://world.matrixfitness.com)

# CONSOLE GUIDE



## SERIAL NUMBER LOCATIONS



Before proceeding, find the serial numbers located on barcode stickers and enter them in the spaces provided below.

### CONSOLE SERIAL NUMBER

### FRAME SERIAL NUMBER

### MODEL

<input type="checkbox"/> A7xe	<input type="checkbox"/> A7xi	<b>MATRIX ASCENT TRAINER</b>
<input type="checkbox"/> E7xe	<input type="checkbox"/> E7xi	<b>MATRIX SUSPENSION ELLIPTICAL TRAINER</b>
<input type="checkbox"/> ALB7xe	<input type="checkbox"/> ALB7xi	<b>MATRIX ASCENT TRAINER LOWER BODY</b>
<input type="checkbox"/> H7xe	<input type="checkbox"/> H7xi	<b>MATRIX HYBRID CYCLE</b>
<input type="checkbox"/> R7xe	<input type="checkbox"/> R7xi	<b>MATRIX RECUMBENT CYCLE</b>
<input type="checkbox"/> U7xe	<input type="checkbox"/> U7xi	<b>MATRIX UPRIGHT CYCLE</b>
<input type="checkbox"/> C7xe	<input type="checkbox"/> C7xi	<b>MATRIX CLIMBMILL</b>
<input type="checkbox"/> S7xe	<input type="checkbox"/> S7xi	<b>MATRIX STEPPER</b>

\* Use the information above when calling for service.



7XE

## A7XE CONSOLE SHOWN



## 7XE CONSOLE DESCRIPTION

The Matrix machine is inspected before it is packaged. It is shipped in two pieces: the base and the console. Carefully unpack the unit and dispose of the box material. Note: There is a thin protective sheet of clear plastic on the overlay of the console that should be removed before use.

The 7xe has a fully integrated touch screen display. All information required for workouts is explained on screen. Exploration of the interface is highly encouraged. The information explaining how to program for various workouts will give an explanation about the contents of each screen on the 7xe.

- A) GO:** One Touch Start.
- B) STOP** (displayed on-screen during workout): Ends workout and shows workout summary data.
- C) COOL DOWN** (displayed on-screen during workout): Puts unit into Cool Down mode. Cool Down time is dependent on the workout.

### 7XE ENTERTAINMENT ZONE

- D) VOLUME UP/DOWN:** Adjusts the volume output through headphones.
- E) CHANNEL UP/DOWN:** Allows for channel selection on the integrated console TV.
- F) HOME:** Will take the user back to the home screen.
- G) LAST CHANNEL:** Allows the user to cycle between the current channel and the previous channel they were viewing.
- H) CC/MUTE:** Mutes sound and turns closed captioning on or off.
- I) DISPLAY MODE:** Allows user to cycle through display modes.
- J) NUMBER KEYPAD:** Allows for easy number inputs.
- K) RFID SENSOR:** Wireless login access location (optional add-on feature).

## A7XI CONSOLE SHOWN



## 7XI CONSOLE DESCRIPTION

The Matrix machine is inspected before it is packaged. It is shipped in two pieces: the base and the console. Carefully unpack the unit and dispose of the box material. Note: There is a thin protective sheet of clear plastic on the overlay of the console that should be removed before use.

The 7xi has a fully integrated touch screen display. All information required for workouts is explained on screen. Exploration of the interface is highly encouraged. The information explaining how to program for various workouts will give an explanation about the contents of each screen on the 7xi.

- A) **GO:** One Touch Start.
- B) **STOP** (displayed on-screen during workout): Ends workout and shows workout summary data.
- C) **COOL DOWN** (displayed on-screen during workout): Puts unit into Cool Down mode. Cool Down time is dependent on the workout.

### 7XI ENTERTAINMENT ZONE

- D) **VOLUME UP/DOWN:** Adjusts the volume output through headphones.
- E) **CHANNEL UP/DOWN:** Allows for channel selection on the integrated console TV.
- F) **HOME:** Will take the user back to the home screen.
- G) **LAST CHANNEL:** Allows the user to cycle between the current channel and the previous channel they were viewing.
- H) **CC/MUTE:** Mutes sound and turns closed captioning on or off.
- I) **DISPLAY MODE:** Allows user to cycle through display modes.
- J) **NUMBER KEYPAD:** Allows for easy number inputs.
- K) **RFID SENSOR:** Wireless login access location (optional add-on feature).




7XI





7XE  
7XI

## 7XE / 7XI CONSOLE OPERATION


### GETTING STARTED

- Touch the **USER** button to sign-in with your XID.
- Touch the **GUEST** button to workout anonymously.
- Touch the **REGISTER** button to create a new XID.
- For help or more information, touch **i**.
- To change language, touch .


### USER SIGN-IN

- 1) Enter your **XID** and touch .
- 2) Enter your **PASSCODE** and touch .



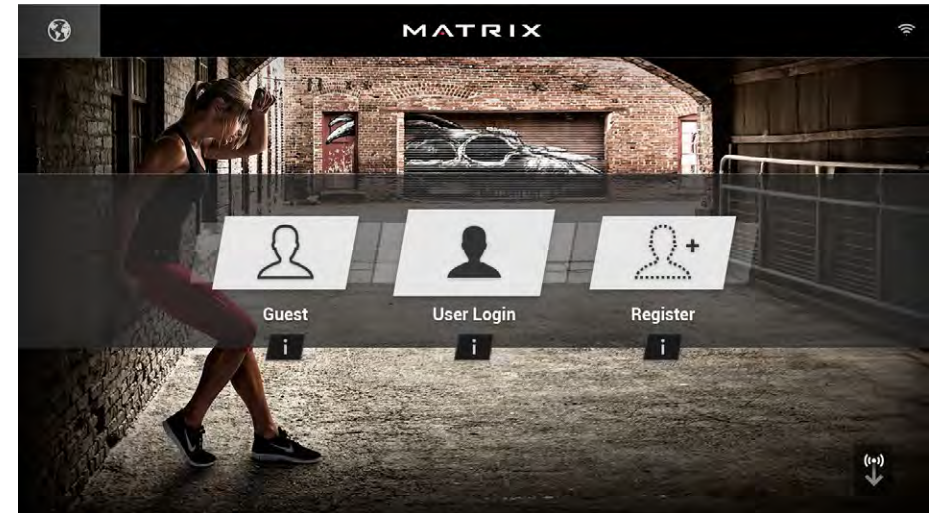
Consoles equipped with RFID will have this symbol in the lower-right corner of the display. To log in, touch your RFID tag to the symbol  located on the bottom right of the console. \*

### REGISTER A NEW USER

- 1) Don't have an xID account? Registration is easy.
- 2) Follow the on-screen prompts to create your free account.
- 3) Review your information and select the **I ACCEPT THE TERMS AND CONDITIONS** box to review the Terms and Conditions.
- 4) Touch  to complete registration. Your account is now active and you are signed-in.

\* Supported standards with carrier frequency of 13.56 MHz include; ISO 14443 A, ISO 15693, ISO 14443 B, Sony Felica, Inside Contact-less (HID iClass), and LEGIC RF.


### LOGIN SCREEN



### GO SCREEN

- Touch **GO** to begin working out immediately. Or...
- Touch the **WORKOUT CATEGORY** button of your choice to customize your workout.

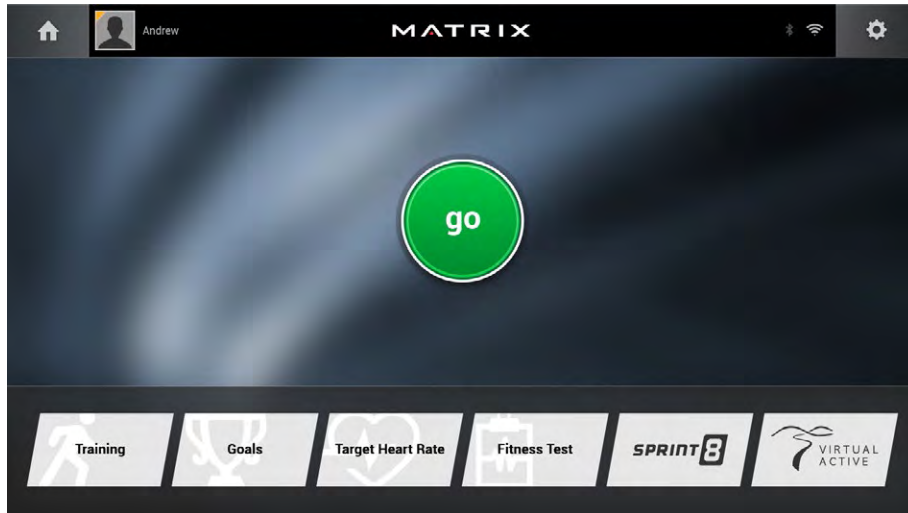
### PROGRAM SETUP

- 1) After selecting a **WORKOUT CATEGORY** button, select one of the **PROGRAMS** listed to the left.  
For more information on a selected program, touch .
- 2) Use the **SLIDER CONTROLS** to adjust your program settings.
- 3) Press **GO** to begin your workout.

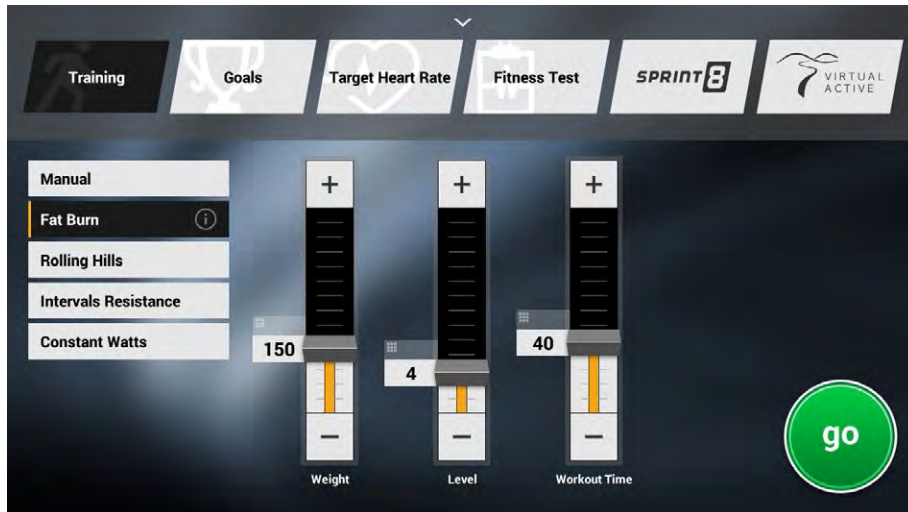
**Note:** Workouts and features vary based on model type, console configurations, software versions and options purchased.



## GO SCREEN



## PROGRAM SETUP



**Note:** Workouts and features vary based on model type, console configurations, software versions and options purchased.

## HOME SCREEN



## HOME SCREEN

- The **USERNAME** or **GUEST** is shown in the upper left corner.
- Touch to change **WORKOUT STATISTICS** displayed at the bottom of the screen.
- Touch to go back to the home screen whenever you're using an app.
- Touch to adjust **VOLUME**, pair a **BLUETOOTH** device or to change **AUDIO SOURCE** (TV, My Media, Virtual Active, etc.).
- Touch to increase or decrease the intensity level, speed or incline.
- Touch to use the keypad to set intensity level, speed or incline. Press to confirm change.
- Touch to change intensity level, speed or incline back to previous setting.
- Touch to temporarily pause your workout and touch to resume. **NOTE:** After resuming, speed, incline and intensity levels will be reset.
- While paused, touch to end workout.
- Touch to increase or decrease the duration of your workout.
- Touch to enter cool down mode. Cool down lasts for a few minutes while reducing the workout intensity, allowing your body to recover from your workout.
- Touch to lock the screen in order to prevent accidental screen touches from being implemented. Touch it again to unlock the screen and allow screen touches.
- Touch to turn the fan on. There are three fan speeds (low, medium, high).



7XE  
7XI



7XE  
7XI

## APPS AND ENTERTAINMENT



### SIMPLE

Workout stats are displayed in 3 customizable windows.



### TRACK

Displays a 400 M (1/4 MILE) track. Split feature allows you to keep track of your fastest laps and improve your time.



### VIRTUAL ACTIVE

Your workout info is displayed and Virtual Active courses are shown. With Virtual Active, escape the confines of an ordinary workout as you or walk or run through exotic destinations.



### TARGET HEART RATE

Track your progress while working out to a Target Heart Rate program.



### CONSTANT WATTS

Track your progress while working out to a Constant Watts program.



### FITNESS TEST

Track your progress while working out to a Fitness Test program.



### LANDMARKS

Track your progress while working out to a Landmarks program.



### SPRINT 8

Track your progress while working out to a Sprint 8 program.



### CHANGE WORKOUT

Select a different workout without stopping your current workout.



### MY MEDIA

Connect and control audio and video files on-screen via USB port or Bluetooth.



### TV

Watch live TV.



### WEATHER

Get local weather info.



### WEB BROWSER

Access the world wide web while you work out.



### FACILITY CALENDAR

View Facility event schedule and other info.



### YOUTUBE

Browse and watch YouTube videos while you work out.



### FACEBOOK

Browse your Facebook page while you work out.



### TWITTER

Access your Twitter feed while you work out.



### NETFLIX

Browse and watch Netflix videos while you work out.  
Netflix account required to access content.



### HULU PLUS

Browse and watch Hulu Plus videos while you work out.  
Hulu Plus account required to access content.



### VEVO

Browse and watch Vevo videos while you work out.  
Vevo account required to access content.



### VUDU

Browse and watch Vudu videos while you work out.  
Vudu account required to access content.



### MYFITNESS PAL

Lose weight with MyFitnessPal, the fastest and easiest to use calorie counter.

**Note:** Workouts and features vary based on model type, console configurations, software versions and options purchased.



## NOTE:

This equipment has been tested and found to comply with the limits for a Class B digital device, pursuant to part 15 of the FCC rules. These limits are designed to provide reasonable protection against harmful interference in a residential installation. This equipment generates, uses and can radiate radio frequency energy and, if not installed and used in accordance with the instructions, may cause harmful interference to radio communications. However, there is no guarantee that interference will not occur in a particular installation. If this equipment does cause harmful interference to radio or television reception, which can be determined by turning the equipment off and on, the user is encouraged to try to correct the interference by one or more of the following measures:

- Reorient or relocate the receiving antenna.
- Increase the separation between the equipment and receiver.
- Connect the equipment into an outlet on a circuit different from that to which the receiver is connected.
- Consult the dealer or an experienced radio/TV technician for help.

Any changes or modifications not expressly approved by the party responsible for compliance could void the user's authority to operate this equipment.

FCC RF Radiation Exposure Statement:

1. This Transmitter must not be co-located or operating in conjunction with any other antenna or transmitter.
2. This equipment complies with FCC RF radiation exposure limits set forth for an uncontrolled environment. This equipment should be installed and operated with a minimum distance of 20 centimeters between the radiator and your body

# MATRIX